

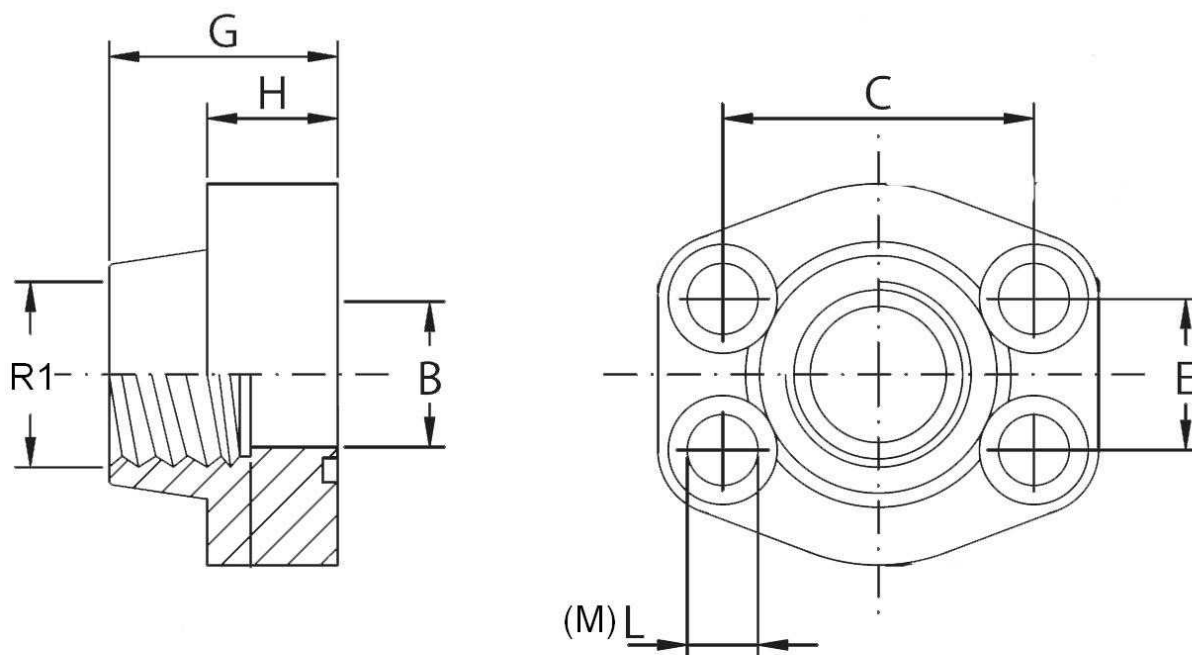
Bridas SAE

Bridas Roscadas

Brida roscada hembra BSP



1/2



Artículo	Serie	R1	Tamaño	Tornillo	O'Ring	OR 1	Junta PU	ØB	ØL	C	E	G	H	M
BBRG30808	3000 PSI	1/2" BSP	1/2"	TB8X30	4075	18.64X3.53	JBR08	13	9	38,1	17,48	36	16	M8x30
BBRG30806	3000 PSI	3/8" BSP	1/2"	TB8X30	4075	18.64X3.53	JBR08	13	9	38,1	17,48	36	16	M8x30
BBRG31212	3000 PSI	3/4" BSP	3/4"	TB10X35	4100	24.99X3.53	JBR12	19	11	47,63	22,23	36	18	M10x35
BBRG31208	3000 PSI	1/2" BSP	3/4"	TB10X35	4100	24.99X3.53	JBR12	13	11	47,63	22,23	36	18	M10x35
BBRG31616	3000 PSI	1" BSP	1"	TB10X35	4131	32.92X3.53	JBR16	25	11	52,37	26,19	38	18	M10x35
BBRG31612	3000 PSI	3/4" BSP	1"	TB10X35	4131	32.92X3.53	JBR16	19	11	52,37	26,19	35	21	M10x40
BBRG32020	3000 PSI	1"1/4 BSP	1"1/4	TB10X40	4150	37.70X3.53	JBR20	32	11,5	58,72	30,18	40	21	M10x40
BBRG32016	3000 PSI	1" BSP	1"1/4	TB10X40	4150	37.70X3.53	JBR20	25	11,5	58,72	30,18	42	25	M10x40
BBRG32424	3000 PSI	1"1/2 BSP	1"1/2	TB12X45	4187	47.22X3.53	JBR24	38	13,5	69,85	35,71	45	25	M12x45
BBRG32420	3000 PSI	1"1/4 BSP	1"1/2	TB12X45	4187	47.22X3.53	JBR24	32	13,5	69,85	35,71	45	27	M12x45
BBRG33232	3000 PSI	2" BSP	2"	TB12X45	4225	56.74X3.53	JBR32	51	13,5	77,77	42,88	45	25	M12x45
BBRG33224	3000 PSI	1"1/2 BSP	2"	TB12X45	4225	56.74X3.53	JBR32	38	13,5	77,77	42,88	45	25	M12x45
BBRG34040	3000 PSI	2"1/2 BSP	2"1/2	TB12X45	4275			63	13,5	88,9	50,8	50	25	M12x45
BBRG34032	3000 PSI	2" BSP	2"1/2	TB12X45	4275			51	13,5	88,9	50,8	50	25	M12x45
BBRG34840	3000 PSI	2"1/2 BSP	3"	TB16X50	4337			63	17,5	106,38	61,93	50	27	M16x50
BBRG34848	3000 PSI	3" BSP	3"	TB16X50	4275			73	17,5	106,38	61,93	50	27	M 16x50
BBRG35656	3000 PSI	3"1/2 BSP	3"1/2	TB16X50	4387			89	17,5	120,65	69,85	48	27	M16x50
BBRG35648	3000 PSI	3" BSP	3"1/2	TB16X50	4387			73	17,5	120,65	69,85	48	27	M16x50
BBRG36464	3000 PSI	4" BSP	4"	TB16X50	4437			99	17,5	130,18	77,77	48	27	M16x50
BBRG36456	3000 PSI	3"1/2 BSP	4"	TB16X50	4437			89	17,5	130,18	77,77	48	27	M16x50
BBRG60808	6000 PSI	1/2" BSP	1/2"	TB8X30	4075	18.64X3.53	JBR08	13	9	40,49	18,24	36	16	M8x30
BBRG60806	6000 PSI	3/8" BSP	1/2"	TB8X30	4075	18.64X3.53	JBR08	13	9	40,49	18,24	36	16	M8x30
BBRG61212	6000 PSI	3/4" BSP	3/4"	TB10X40	4100	24.99X3.53	JBR12	19	11	50,8	23,8	35	21	M10x40
BBRG61208	6000 PSI	1/2" BSP	3/4"	TB10X40	4100	24.99X3.53	JBR12	13	11	50,8	23,8	35	21	M10x40

Bridas SAE

Bridas Roscadas

Brida roscada hembra BSP

2/2

Artículo	Serie	R1	Tamaño	Tornillo	O'Ring	OR 1	Junta PU	ØB	ØL	C	E	G	H	M
BBRG61616	6000 PSI	1" BSP	1"	TB12X45	4131	32.92X3.53	JBR16	25	13	57,15	27,76	42	25	M12x45
BBRG61612	6000 PSI	3/4" BSP	1"	TB12X45	4131	32.92X3.53	JBR16	19	13	57,15	27,76	42	25	M12x45
BBRG62020	6000 PSI	1"1/4 BSP	1"1/4	TB14X45	4150	37.70X3.53	JBR20	32	15	66,68	31,75	45	27	M14x45
BBRG62016	6000 PSI	1" BSP	1"1/4	TB14X45	4150	37.70X3.53	JBR20	25	15	66,68	31,75	45	27	M14x45
BBRG62420	6000 PSI	1"1/4 BSP	1"1/2	TB16X50	4187	47.22X3.53	JBR24	32	17	79,38	36,5	50	30	M16x50
BBRG62424	6000 PSI	1"1/2 BSP	1"1/2	TB16X50	4187	47.22X3.53	JBR24	38	17	79,38	36,5	50	30	M16x50
BBRG63232	6000 PSI	2" BSP	2"	TB20X70	4225	56.74X3.53	JBR32	51	21	96,82	44,45	65	37	M20x70
BBRG63224	6000 PSI	1"1/2 BSP	2"	TB20X70	4225	56.74X3.53	JBR32	38	21	96,82	44,45	65	37	M20x70

*** Revisar PDF adjunto ***

Los tornillos y juntas se venden aparte.

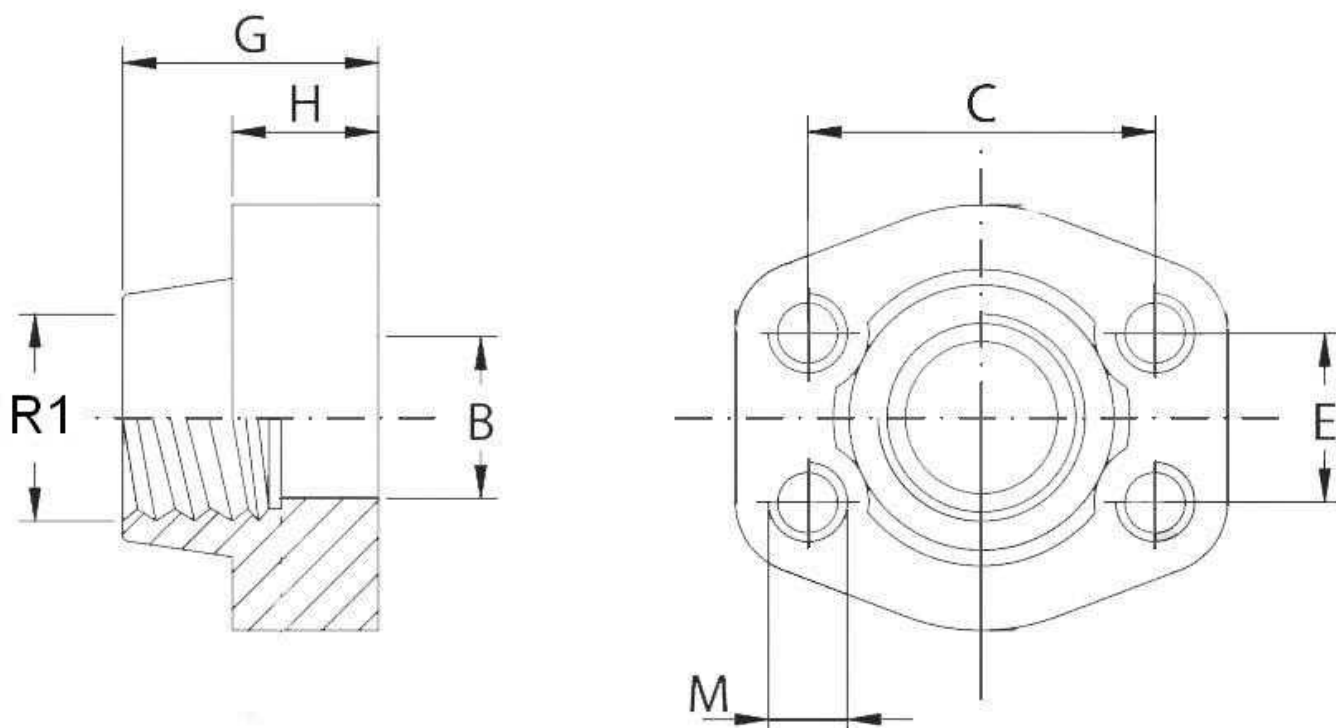
Bridas SAE

Bridas Roscadas

Contrabrida roscada hembra BSP



1/2



Artículo	Serie	R1	Tamaño	Tornillo	OR 1	Junta PU	ØB	C	E	G	H	M
BCRG30808	3000 PSI	1/2" BSP	1/2"	TB8X30	18.64X3.53	JBR08	13	38,10	17,48	36	16	M8
BCRG30806	3000 PSI	3/8" BSP	1/2"	TB8X30	18.64X3.53	JBR08	13	38,10	17,48	36	16	M8
BCRG31212	3000 PSI	3/4" BSP	3/4"	TB10X35	24.99X3.53	JBR12	19	47,63	22,23	36	18	M10
BCRG31208	3000 PSI	1/2" BSP	3/4"	TB10X35	24.99X3.53	JBR12	13	47,63	22,23	36	18	M10
BCRG31616	3000 PSI	1" BSP	1"	TB10X35	32.92X3.53	JBR16	25	52,37	26,19	38	18	M10
BCRG31612	3000 PSI	3/4" BSP	1"	TB10X35	32.92X3.53	JBR16	19	52,37	26,19	35	21	M10
BCRG32020	3000 PSI	1"1/4 BSP	1"1/4	TB10X40	37.70X3.53	JBR20	32	58,72	30,18	40	21	M10
BCRG32016	3000 PSI	1" BSP	1"1/4	TB10X40	37.70X3.53	JBR20	25	58,72	30,18	42	25	M10
BCRG32424	3000 PSI	1"1/2 BSP	1"1/2	TB12X45	47.22X3.53	JBR24	38	69,85	35,71	45	25	M12
BCRG32420	3000 PSI	1"1/4 BSP	1"1/2	TB12X45	47.22X3.53	JBR24	32	69,85	35,71	45	27	M12
BCRG33232	3000 PSI	2" BSP	2"	TB12X45	56.74X3.53	JBR32	51	77,77	42,88	45	25	M12
BCRG33224	3000 PSI	1"1/2 BSP	2"	TB12X45	56.74X3.53	JBR32	38	77,77	42,88	45	25	M12
BCRG34040	3000 PSI	2"1/2 BSP	2"1/2	TB12X45			63	88,90	50,80	50	25	M12
BCRG34032	3000 PSI	2" BSP	2"1/2	TB12X45			51	88,90	50,80	50	25	M12
BCRG34848	3000 PSI	3" BSP	3"	TB16X50			73	106,38	61,93	50	27	M16
BCRG34840	3000 PSI	2"1/2 BSP	3"	TB16X50			63	106,38	61,93	50	27	M16
BCRG35656	3000 PSI	3"1/2 BSP	3"1/2	TB16X50			89	120,65	69,85	48	27	M16
BCRG35648	3000 PSI	3" BSP	3"1/2	TB16X50			73	120,65	69,85	48	27	M16
BCRG36464	3000 PSI	4" BSP	4"	TB16X50			99	130,18	77,77	48	27	M16
BCRG36456	3000 PSI	3"1/2 BSP	4"	TB16X50			89	130,18	77,77	48	27	M16
BCRG60808	6000 PSI	1/2" BSP	1/2"	TB8X30	18.64X3.53	JBR08	13	40,49	18,24	36	16	M8
BCRG60806	6000 PSI	3/8" BSP	1/2"	TB8X30	18.64X3.53	JBR08	13	40,49	18,24	36	16	M8
BCRG61212	6000 PSI	3/4" BSP	3/4"	TB10X40	24.99X3.53	JBR12	19	50,80	23,80	35	21	M10
BCRG61208	6000 PSI	1/2" BSP	3/4"	TB10X40	24.99X3.53	JBR12	13	50,80	23,80	35	21	M10

Bridas SAE

Bridas Roscadas

Contrabrida roscada hembra BSP**2/2**

Artículo	Serie	R1	Tamaño	Tornillo	OR 1	Junta PU	ØB	C	E	G	H	M
BCRG61616	6000 PSI	1" BSP	1"	TB12X45	32.92X3.53	JBR16	25	57,15	27,76	42	25	M12
BCRG61612	6000 PSI	3/4" BSP	1"	TB12X45	32.92X3.53	JBR16	19	57,15	27,76	42	25	M12
BCRG62020	6000 PSI	1"1/4 BSP	1"1/4	TB14X45	37.70X3.53	JBR20	32	66,68	31,75	45	27	M14
BCRG62016	6000 PSI	1" BSP	1"1/4	TB14X45	37.70X3.53	JBR20	25	66,68	31,75	45	27	M14
BCRG62424	6000 PSI	1"1/2 BSP	1"1/2	TB16X50	47.22X3.53	JBR24	38	79,38	36,50	50	30	M16
BCRG62420	6000 PSI	1"1/4 BSP	1"1/2	TB16X50	47.22X3.53	JBR24	32	79,38	36,50	50	30	M16
BCRG63232	6000 PSI	2" BSP	2"	TB20X70	56.74X3.53	JBR32	51	96,82	44,45	65	37	M20
BCRG63224	6000 PSI	1"1/2 BSP	2"	TB20X70	56.74X3.53	JBR32	38	96,82	44,45	65	37	M20

***** Revisar PDF adjunto *****

Los tornillos y juntas se venden aparte.

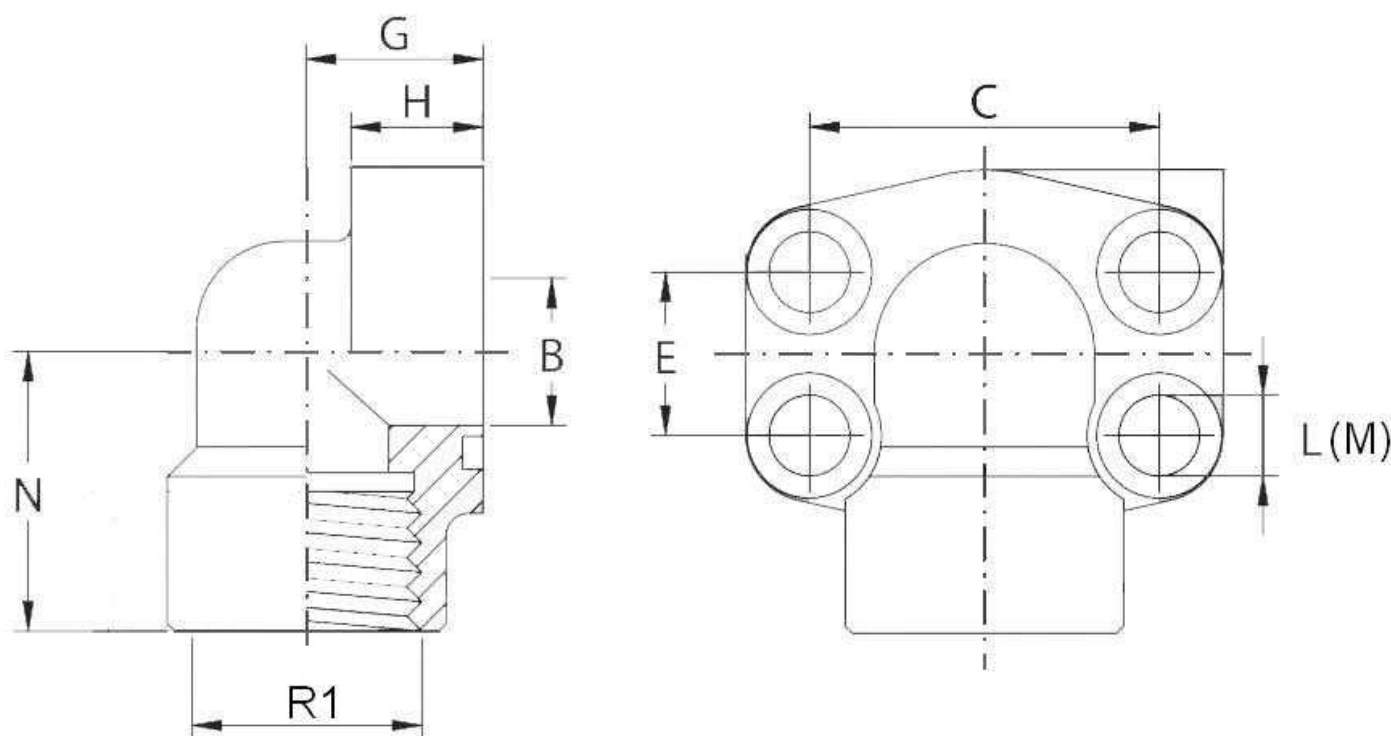
Bridas SAE

Bridas Roscadas

Brida codo 90º roscada hembra BSP



1/1



Artículo	Serie	R1	Tamaño	Tornillo	O'Ring	OR 1	Junta PU	ØB	ØL	C	E	G	H	M	N
B90RG30808	3000 PSI	1/2" BSP	1/2"	TB8X30	4075	18.64X3.53	JBR08	13	9	38,10	17,48	20	16	M8x30	37
B90RG30806	3000 PSI	3/8" BSP	1/2"	TB8X30	4075	18.64X3.53	JBR08	13	9	38,10	17,48	20	16	M8x30	37
B90RG31212	3000 PSI	3/4" BSP	3/4"	TB10X35	4100	24.99X3.53	JBR12	19	11	47,63	22,23	24	18	M10x35	38
B90RG31616	3000 PSI	1" BSP	1"	TB10X35	4131	32.92X3.53	JBR16	25	11	52,37	26,19	28	19	M10x35	43
B90RG32020	3000 PSI	1"1/4 BSP	1"1/4	TB10X40	4150	37.70X3.53	JBR20	32	11,5	58,72	30,18	34	21	M10x40	51
B90RG32424	3000 PSI	1"1/2 BSP	1"1/2	TB12X45	4187	47.22X3.53	JBR24	38	13,5	69,85	35,71	38	25	M12x45	56
B90RG33232	3000 PSI	2" BSP	2"	TB12X45	4225	56.74X3.53	JBR32	51	13,5	77,77	42,88	42	25	M12x45	65
B90RG60808	6000 PSI	1/2" BSP	1/2"	TB8X30	4075	18.64X3.53	JBR08	13	9	40,49	18,24	20	16	M8x30	37
B90RG60806	6000 PSI	3/8" BSP	1/2"	TB8X30	4075	18.64X3.53	JBR08	13	9	40,49	18,24	20	16	M8x30	37
B90RG61212	6000 PSI	3/4" BSP	3/4"	TB10X40	4100	24.99X3.53	JBR12	19	11	50,80	23,80	28	19	M10x35	43
B90RG61616	6000 PSI	1" BSP	1"	TB12X45	4131	32.92X3.53	JBR16	25	13	57,15	27,76	34	21	M12x45	51
B90RG62020	6000 PSI	1"1/4 BSP	1"1/4	TB14X45	4150	37.70X3.53	JBR20	32	15 *	66,68	31,75	38	25	M14x45	56
B90RG62424	6000 PSI	1"1/2 BSP	1"1/2	TB16X50	4187	47.22X3.53	JBR24	38	17	79,38	36,50	42	25	M16x50	65

*** Revisar PDF adjunto ***

Los tornillos y juntas se venden aparte.

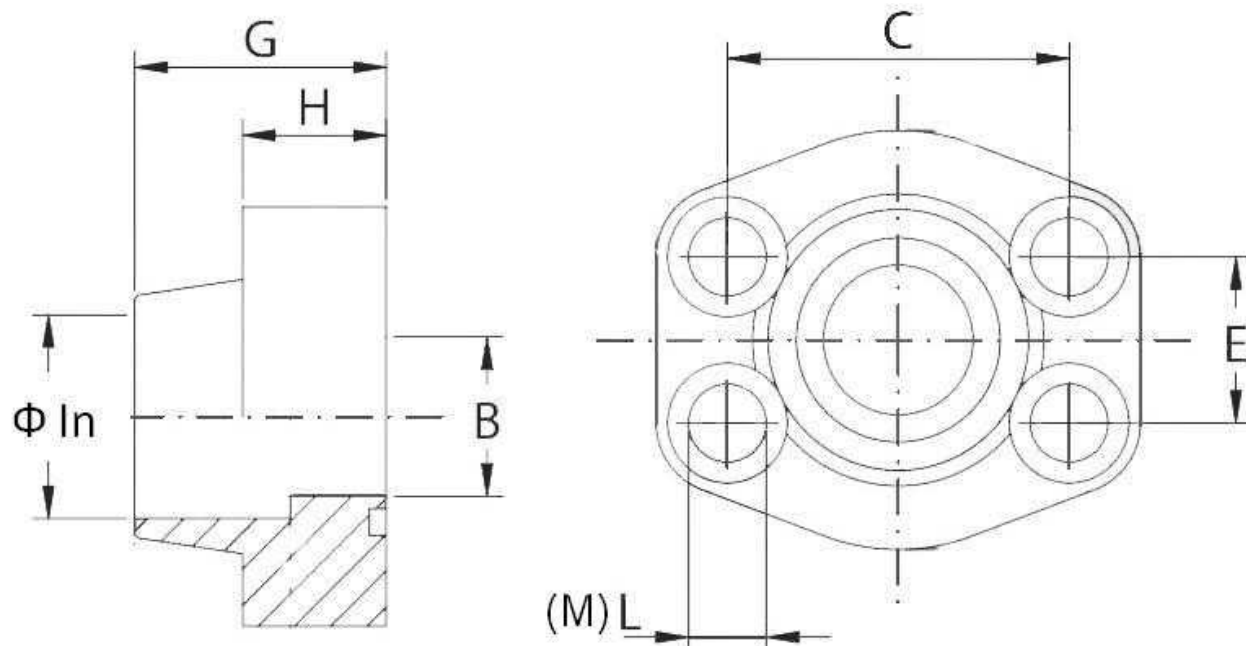
Bridas SAE

Bridas soldables tubo gas

Brida soldable hembra tubo gas



1/1



Artículo	Serie	Ø in	Tamaño	Tornillo	O'Ring	OR 1	Junta PU	ØB	ØL	C	E	G	H	M
BBSG308216	3000 PSI	21.6	1/2"	TB8X30	4075	18.64X3.53	JBR08	13	9	38,10	17,48	36	16	M8x30
BBSG308175	3000 PSI	17.5	1/2"	TB8X30	4075	18.64X3.53	JBR08	13	9	38,10	17,48	36	16	M8x30
BBSG312272	3000 PSI	27.2	3/4"	TB10X35	4100	24.99X3.53	JBR12	19	11	47,63	22,23	36	18	M10x35
BBSG316340	3000 PSI	34	1"	TB10X35	4131	32.92X3.53	JBR16	25	11	52,37	26,19	38	18	M10x35
BBSG320428	3000 PSI	42.8	1"1/4	TB10X40	4150	37.70X3.53	JBR20	32	11,5	58,72	30,18	41	21	M10x40
BBSG324486	3000 PSI	48.6	1"1/2	TB12X45	4187	47.22X3.53	JBR24	38	13,5	69,85	35,71	45	25	M12x45
BBSG332610	3000 PSI	61	2"	TB12X45	4225	56.74X3.53	JBR32	51	13,5	77,77	42,88	45	25	M12x45
BBSG340766	3000 PSI	76.6	2"1/2	TB12X45	4275			63	13,5	88,90	50,80	50	25	M12x45
BBSG348905	3000 PSI	90.5	3"	TB16X50	4337			73	17,5	106,38	61,93	50	27	M16x50
BBSG3561030	3000 PSI	103	3"1/2	TB16X50	4387			89	17,5	120,65	69,85	48	27	M16x50
BBSG341155	3000 PSI	115.5	4"	TB16X50	4437			99	17,5	130,18	77,77	48	27	M16x50
BBSG608175	6000 PSI	17.5	1/2"	TB8X30	4075	18.64X3.53	JBR08	13	9	40,49	18,24	36	16	M8x30
BBSG608216	6000 PSI	21.6	1/2"	TB8X30	4075	18.64X3.53	JBR08	13	9	40,49	18,24	36	16	M8x30
BBSG612272	6000 PSI	27.2	3/4"	TB10X40	4100	24.99X3.53	JBR12	19	11	50,80	23,80	35	21	M10x40
BBSG621612	6000 PSI	34	1"	TB12X45	4131	32.92X3.53	JBR16	25	13	57,15	27,76	42	25	M12x45
BBSG620428	6000 PSI	42.8	1"1/4	TB14X45	4150	37.70X3.53	JBR20	32	15 *	66,68	31,75	45	27	M14x45
BBSG624486	6000 PSI	48.6	1"1/2	TB16X50	4187	47.22X3.53	JBR24	38	17	79,38	36,50	50	30	M16x50
BBSG632610	6000 PSI	61	2"	TB20X70	4225	56.74X3.53	JBR32	51	21	96,82	44,45	65	37	M20x70

*** Revisar PDF adjunto ***

Los tornillos y juntas se venden aparte.

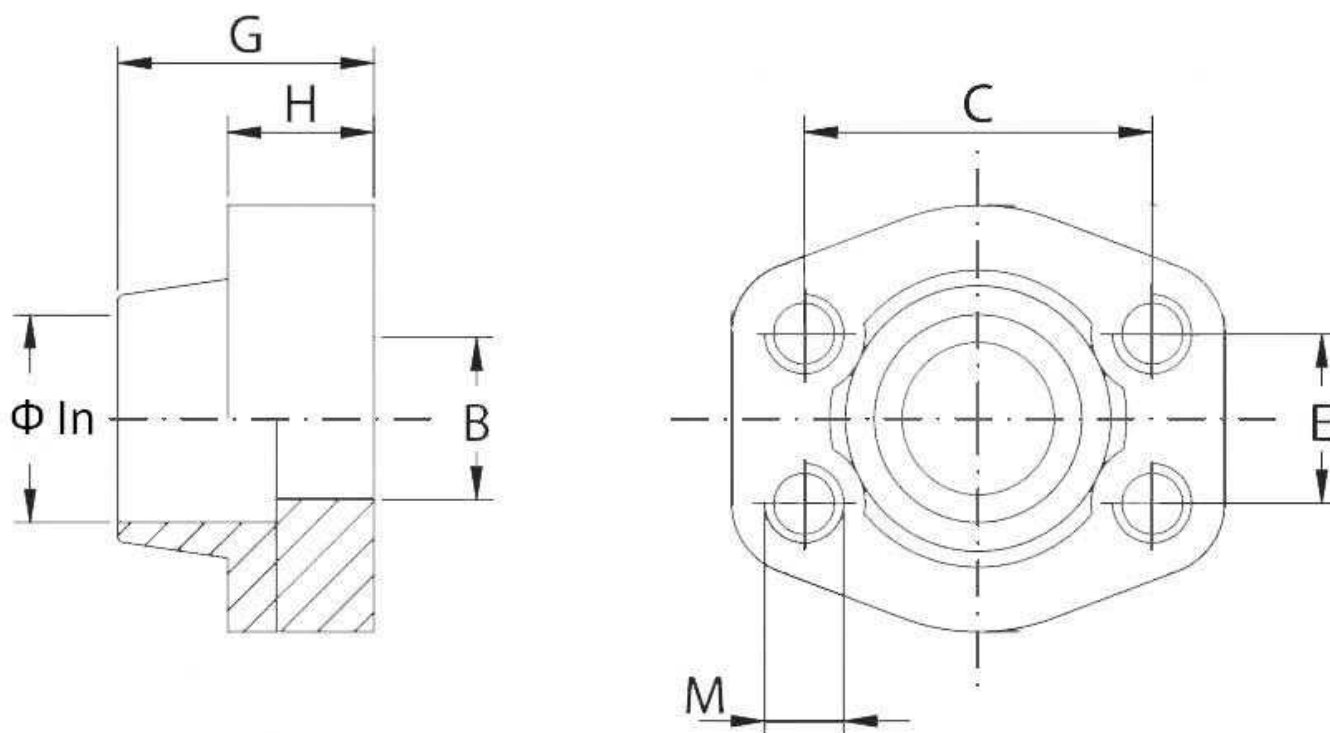
Bridas SAE

Bridas soldables tubo gas

Contrabrida soldable hembra tubo gas



1/1



Artículo	Serie	Ø in	Tamaño	Tornillo	OR 1	Junta PU	ØB	C	E	G	H	M
BCSG308216	3000 PSI	21.6	1/2"	TB8X30	18.64X3.53	JBR08	13	38,1	17,48	36	16	M8
BCSG308175	3000 PSI	17.5	1/2"	TB8X30	18.64X3.53	JBR08	13	38,1	17,48	36	16	M8
BCSG312272	3000 PSI	27.2	3/4"	TB10X35	24.99X3.53	JBR12	19	47,63	22,23	36	18	M10
BCSG316340	3000 PSI	34	1"	TB10X35	32.92X3.53	JBR16	25	52,37	26,19	38	18	M10
BCSG320428	3000 PSI	42.8	1"1/4	TB10X40	37.70X3.53	JBR20	32	58,72	30,18	41	21	M10
BCSG324486	3000 PSI	48.6	1"1/2	TB12X45	47.22X3.53	JBR24	38	69,85	35,71	45	25	M12
BCSG332610	3000 PSI	61	2"	TB12X45	56.74X3.53	JBR32	51	77,77	42,88	45	25	M12
BCSG340766	3000 PSI	76.6	2"1/2	TB12X45			63	88,9	50,8	50	25	M12
BCSG348905	3000 PSI	90.5	3"	TB16X50			73	106,38	61,93	50	27	M16
BCSG3561030	3000 PSI	103	3"1/2	TB16X50			89	120,65	69,85	48	27	M16
BCSG3641155	3000 PSI	115.5	4"	TB16X50			99	130,18	77,77	48	27	M16
BCSG608216	6000 PSI	21.6	1/2"	TB8X30	18.64X3.53	JBR08	13	40,49	18,24	36	16	M8
BCSG612272	6000 PSI	27.2	3/4"	TB10X40	24.99X3.53	JBR12	19	50,8	23,8	35	21	M10
BCSG616340	6000 PSI	34	1"	TB12X45	32.92X3.53	JBR16	25	57,15	27,76	42	25	M12
BCSG620428	6000 PSI	42.8	1"1/4	TB14X45	37.70X3.53	JBR20	32	66,68	31,75	45	27	M14
BCSG624486	6000 PSI	48.6	1"1/2	TB16X50	47.22X3.53	JBR24	38	79,38	36,5	50	30	M16
BCSG632610	6000 PSI	61	2"	TB20X70	56.74X3.53	JBR32	51	96,82	44,45	65	37	M20

*** Revisar PDF adjunto ***

Los tornillos y juntas se venden aparte.

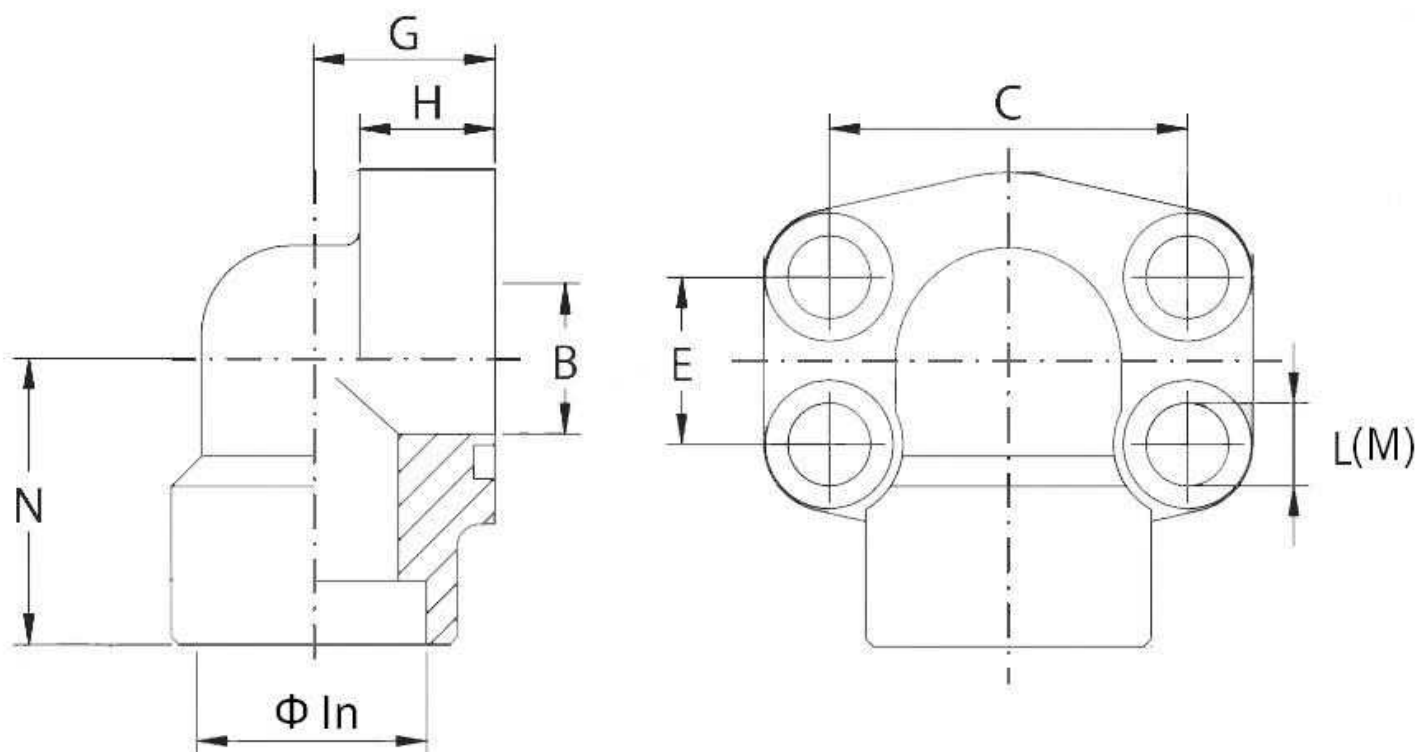
Bridas SAE

Bridas soldables tubo gas

Brida codo 90º soldable hembra tubo gas



1/1



Artículo	Serie	Ø in	Tamaño	Tornillo	O'Ring	OR 1	Junta PU	ØB	ØL	C	E	G	H	M	N
B90SG308216	3000 PSI	21.6	1/2"	TB8X30	4075	18.64X3.53	JBR08	13	9	38,10	17,48	20	16	M8x30	37
B90SG308175	3000 PSI	17.5	1/2"	TB8X30	4075	18.64X3.53	JBR08	13	9	38,10	17,48	20	16	M8x30	37
B90SG312272	3000 PSI	27.2	3/4"	TB10X35	4100	24.99X3.53	JBR12	19	11	47,63	22,23	24	18	M10x35	38
B90SG316340	3000 PSI	34	1"	TB10X35	4131	32.92X3.53	JBR16	25	11	52,37	26,19	28	19	M10x35	43
B90SG320428	3000 PSI	42.8	1"1/4	TB10X40	4150	37.70X3.53	JBR20	32	11,5	58,72	30,18	34	21	M10x40	51
B90SG324486	3000 PSI	48.6	1"1/2	TB12X45	4187	47.22X3.53	JBR24	38	13,5	69,85	35,71	38	25	M12x45	56
B90SG332610	3000 PSI	61	2"	TB12X45	4225	56.74X3.53	JBR32	51	13,5	77,77	42,88	42	25	M12x45	65
B90SG608216	6000 PSI	21.6	1/2"	TB8X30	4075	18.64X3.53	JBR08	13	9	40,49	18,24	20	16	M8x30	37
B90SG608175	6000 PSI	17.5	1/2"	TB8X30	4075	18.64X3.53	JBR08	13	9	40,49	18,24	20	16	M8x30	37
B90SG612272	6000 PSI	27.2	3/4"	TB10X40	4100	24.99X3.53	JBR12	19	11	50,80	23,80	28	19	M10x40	43
B90SG616340	6000 PSI	34	1"	TB12X45	4131	32.92X3.53	JBR16	25	13	57,15	27,76	34	21	M12x45	51
B90SG620428	6000 PSI	42.8	1"1/4	TB14X45	4150	37.70X3.53	JBR20	32	15 *	66,68	31,75	38	25	M14x45	56
B90SG624486	6000 PSI	48.6	1"1/2	TB16X50	4187	47.22X3.53	JBR24	38	17	79,38	36,5	42	25	M16x50	65

*** Revisar PDF adjunto ***

Los tornillos y juntas se venden aparte.

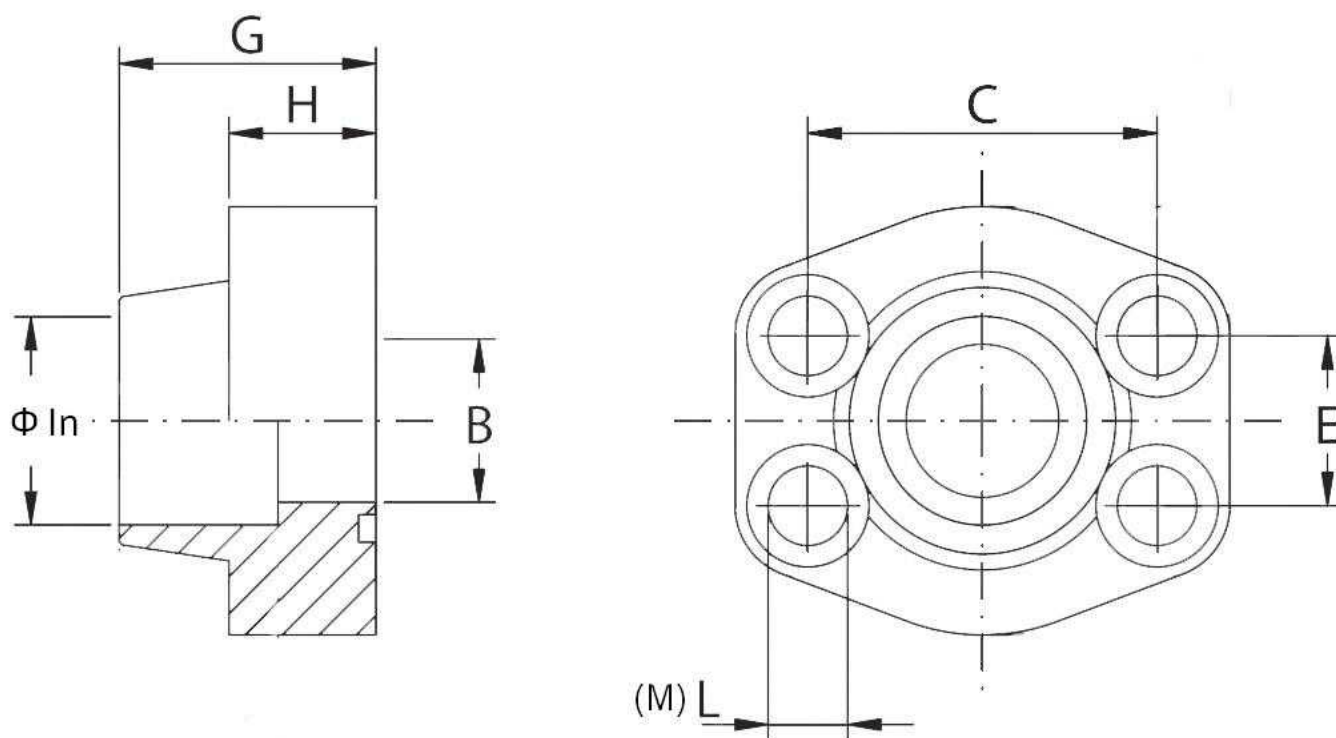
Bridas SAE

Bridas soldables tubo métrico

Brida soldable hembra tubo métrico



1/1



Artículo	Serie	Ø in	Tamaño	Tornillo	O'Ring	OR 1	Junta PU	ØB	ØL	C	E	G	H	M
BBSM308203	3000 PSI	20.3	1/2"	TB8X30	4075	18.64X3.53	JBR08	13	9	38,10	17,48	36	16	M8x30
BBSM312253	3000 PSI	25.3	3/4"	TB10X35	4100	24.99X3.53	JBR12	19	11	47,63	22,23	36	18	M10x35
BBSM316303	3000 PSI	30.3	1"	TB10X35	4131	32.92X3.53	JBR16	25	11	52,37	26,19	38	18	M10x35
BBSM320383	3000 PSI	38.3	1"1/4	TB10X40	4150	37.70X3.53	JBR20	32	11,5	58,72	30,18	41	21	M10x40
BBSM324505	3000 PSI	50.5	1"1/2	TB12X45	4187	47.22X3.53	JBR24	38	13,5	69,85	35,71	45	25	M12x45
BBSM608203	6000 PSI	20.3	1/2"	TB8X30	4075	18.64X3.53	JBR08	13	9	40,49	18,24	36	16	M8x30
BBSM612253	6000 PSI	25.3	3/4"	TB10X40	4100	24.99X3.53	JBR12	19	11	50,80	23,80	35	21	M10x40
BBSM616303	6000 PSI	30.3	1"	TB12X45	4131	32.92X3.53	JBR16	25	13	57,15	27,76	42	25	M12x45
BBSM620383	6000 PSI	38.3	1"1/4	TB14X45	4150	37.70X3.53	JBR20	32	15 *	66,68	31,75	45	27	M14x45
BBSM624505	6000 PSI	50.5	1"1/2	TB16X50	4187	47.22X3.53	JBR24	38	17	79,38	36,50	50	30	M16x50

*** Revisar PDF adjunto ***

Los tornillos y juntas se venden aparte.

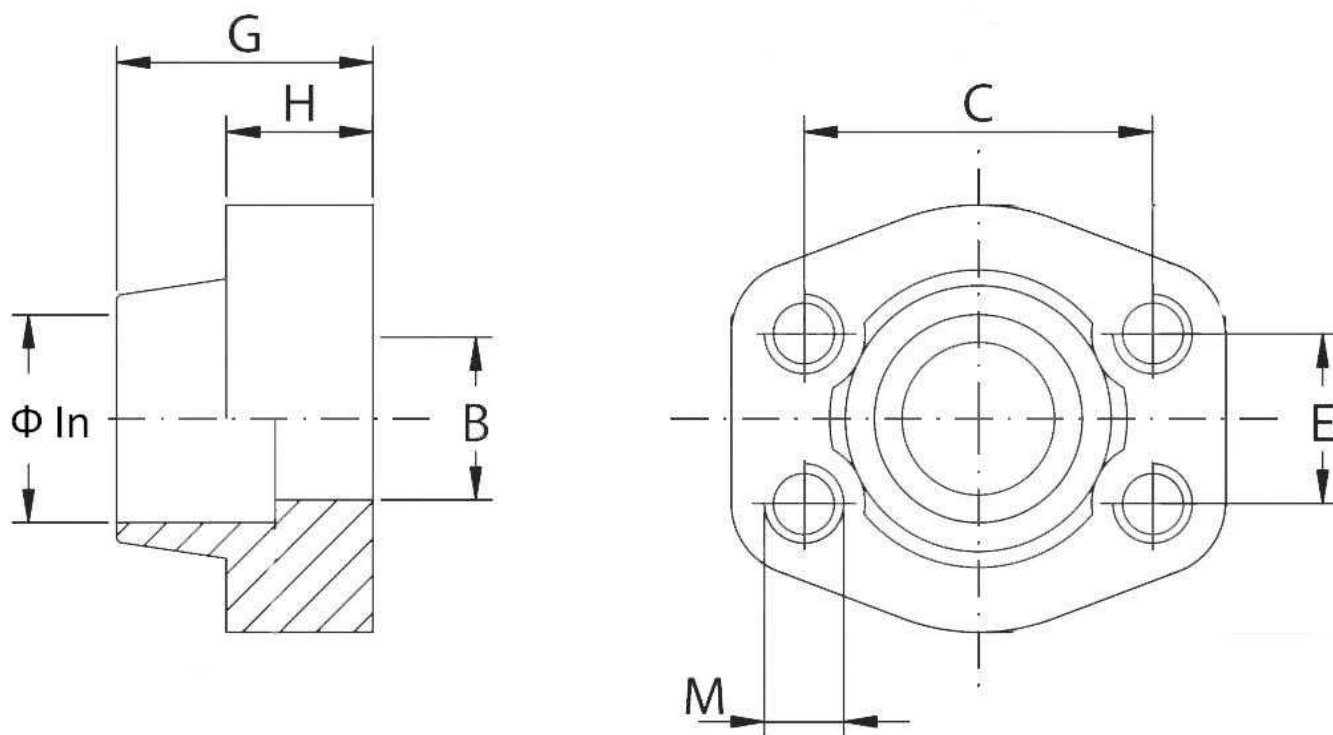
Bridas SAE

Bridas soldables tubo métrico

Contrabrida soldable hembra tubo métrico



1/1



Artículo	Serie	Ø in	Tamaño	Tornillo	OR 1	Junta PU	ØB	C	E	G	H	M
BCSM308203	3000 PSI	20.3	1/2"	TB8X30	18.64X3.53	JBR08	13	38,10	17,48	36	16	M8
BCSM312253	3000 PSI	25.3	3/4"	TB10X35	24.99X3.53	JBR12	19	47,63	22,23	36	18	M10
BCSM316303	3000 PSI	30.3	1"	TB10X35	32.92X3.53	JBR16	25	52,37	26,19	38	18	M10
BCSM320383	3000 PSI	38.3	1"1/4	TB10X40	37.70X3.53	JBR20	32	58,72	30,18	41	21	M10
BCSM608203	6000 PSI	20.3	1/2"	TB8X30	18.64X3.53	JBR08	13	40,49	18,24	36	16	M8
BCSM612253	6000 PSI	25.3	3/4"	TB10X40	24.99X3.53	JBR12	19	50,80	23,8	35	21	M10
BCSM616303	6000 PSI	30.3	1"	TB12X45	32.92X3.53	JBR16	25	57,15	27,76	42	25	M12
BCSM620383	6000 PSI	38.3	1"1/4	TB14X45	37.70X3.53	JBR20	32	66,68	31,75	45	27	M14
BCSM624505	6000 PSI	50.5	1"1/2	TB16X50	47.22X3.53	JBR24	38	79,38	36,5	50	30	M16

*** Revisar PDF adjunto ***

Los tornillos y juntas se venden aparte.

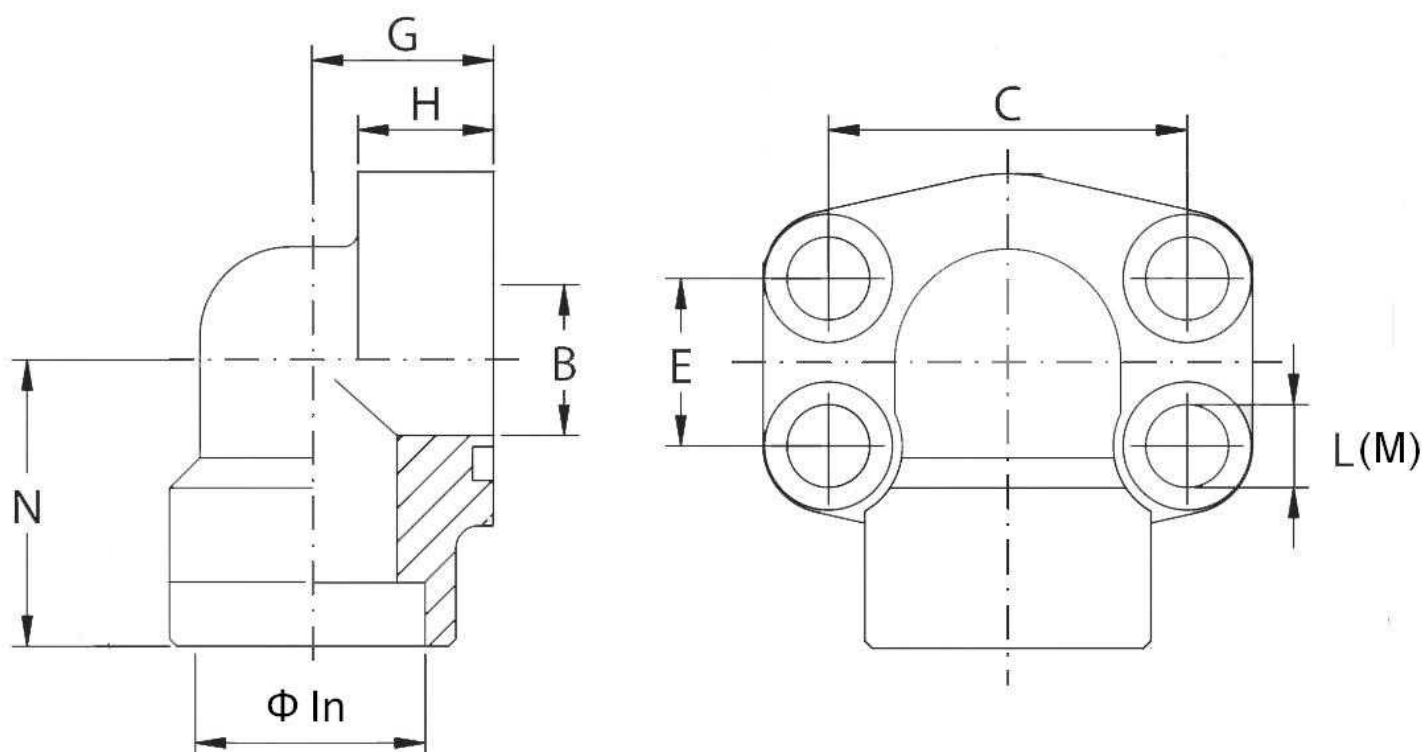
Bridas SAE

Bridas soldables tubo métrico

Brida codo 90º soldable hembra tubo métrico



1/1



Artículo	Serie	Ø in	Tamaño	Tornillo	O'Ring	OR 1	Junta PU	ØB	ØL	C	E	G	H	M	N
B90SM308203	3000 PSI	20.3	1/2"	TB8X30	4075	18.64X3.53	JBR08	13	9	38,10	17,48	20	16	M8x30	37
B90SM312253	3000 PSI	25.3	3/4"	TB10X35	4100	24.99X3.53	JBR12	19	11	47,63	22,23	24	18	M10x35	38
B90SM316303	3000 PSI	30.3	1"	TB10X35	4131	32.92X3.53	JBR16	25	11	52,37	26,19	28	19	M10x35	43
B90SM320383	3000 PSI	38.3	1"1/4	TB10X40	4150	37.70X3.53	JBR20	32	11,5	58,72	30,18	34	21	M10x40	51
B90SM324505	3000 PSI	50.5	1"1/2	TB12X45	4187	47.22X3.53	JBR24	38	13,5	69,85	35,71	38	25	M12x45	56
B90SM608203	6000 PSI	20.3	1/2"	TB8X30	4075	18.64X3.53	JBR08	13	9	40,49	18,24	20	16	M8x30	37
B90SM612253	6000 PSI	25.3	3/4"	TB10X40	4100	24.99X3.53	JBR12	19	11	50,80	23,8	28	19	M10x40	43
B90SM616303	6000 PSI	30.3	1"	TB12X45	4131	32.92X3.53	JBR16	25	13	57,15	27,76	34	21	M12x45	51
B90SM620383	6000 PSI	38.3	1"1/4	TB14X45	4150	37.70X3.53	JBR20	32	15 *	66,68	31,75	38	25	M14x45	56
B90SM624503	6000 PSI	50.3	1"1/2	TB16X50	4187	47.22X3.53	JBR24	38	17	79,38	36,5	42	25	M16x50	65

*** Revisar PDF adjunto ***

Los tornillos y juntas se venden aparte.

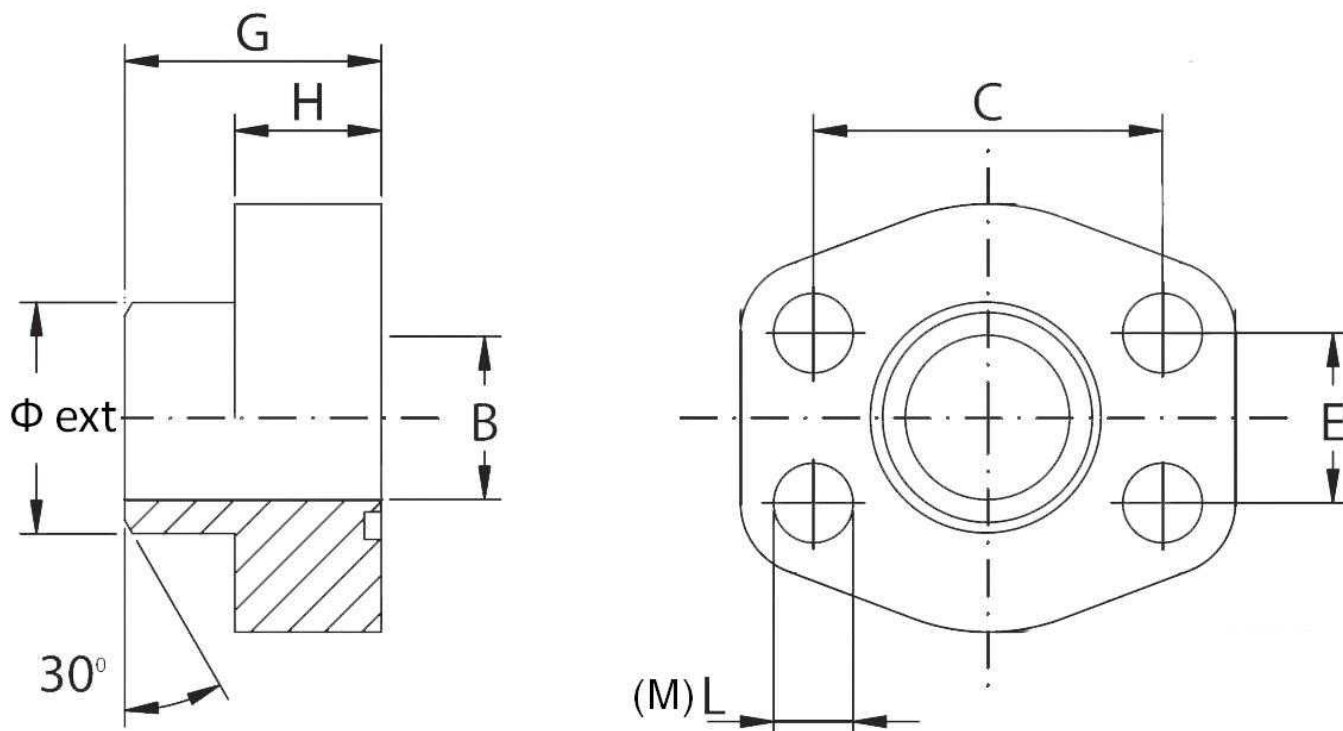
Bridas SAE

Bridas soldables macho

Brida soldable macho tubo gas



1/1



Artículo	Serie	Φ ext	Tamaño	Tornillo	O'Ring	OR 1	Junta PU	Φ B	Φ L	C	E	G	H	M
BMSG308215	3000 PSI	21.5	1/2"	TB8X30	4075	18.64X3.53	JBR08	13	9	38,10	17,48	36	16	M8x30
BMSG308175	3000 PSI	17.5	1/2"	TB8X30	4075	18.64X3.53	JBR08	13	9	38,10	17,48	36	16	M8x30
BMSG312280	3000 PSI	28	3/4"	TB10X35	4100	24.99X3.53	JBR12	19	11	47,63	22,23	36	18	M10x35
BMSG316340	3000 PSI	34	1"	TB10X35	4131	32.92X3.53	JBR16	25	11	52,37	26,19	38	18	M10x35
BMSG320428	3000 PSI	42.8	1"1/4	TB10X40	4150	37.70X3.53	JBR20	32	11,5	58,72	30,18	41	21	M10x40
BMSG324486	3000 PSI	48.6	1"1/2	TB12X45	4187	47.22X3.53	JBR24	38	13,5	69,85	35,71	44	25	M12x45
BMSG332610	3000 PSI	61	2"	TB12X45	4225	56.74X3.53	JBR32	51	13,5	77,77	42,88	45	25	M12x45
BMSG340770	3000 PSI	77	2"1/2	TB12X45	4275			63	13,5	88,90	50,8	50	25	M12x45
BMSG348920	3000 PSI	92	3"	TB16X50	4337			73	17,5	106,38	61,93	50	27	M16x50
BMSG356103	3000 PSI	103	3"1/2	TB16X50	4387			89	17,5	120,65	69,85	48	27	M16x50
BMSG608215	6000 PSI	21.5	1/2"	TB8X30	4075	18.64X3.53	JBR08	13	9	40,49	18,24	36	16	M8x30
BMSG608175	6000 PSI	17.5	1/2"	TB8X30	4075	18.64X3.53	JBR08	13	9	40,49	18,24	36	16	M8x30
BMSG612280	6000 PSI	28	3/4"	TB10X40	4100	24.99X3.53	JBR12	19	11	50,80	23,8	35	21	M10x40
BMSG616340	6000 PSI	34	1"	TB12X45	4131	32.92X3.53	JBR16	25	13	57,15	27,76	41	21	M12x45
BMSG620428	6000 PSI	42.8	1"1/4	TB14X45	4150	37.70X3.53	JBR20	32	15 *	66,68	31,75	44	25	M14x45
BMSG624486	6000 PSI	48.6	1"1/2	TB16X50	4187	47.22X3.53	JBR24	38	17	79,38	36,5	55	30	M16x50
BMSG632610	6000 PSI	61	2"	TB20X70	4225	56.74X3.53	JBR32	51	21	96,82	44,45	65	37	M20x70

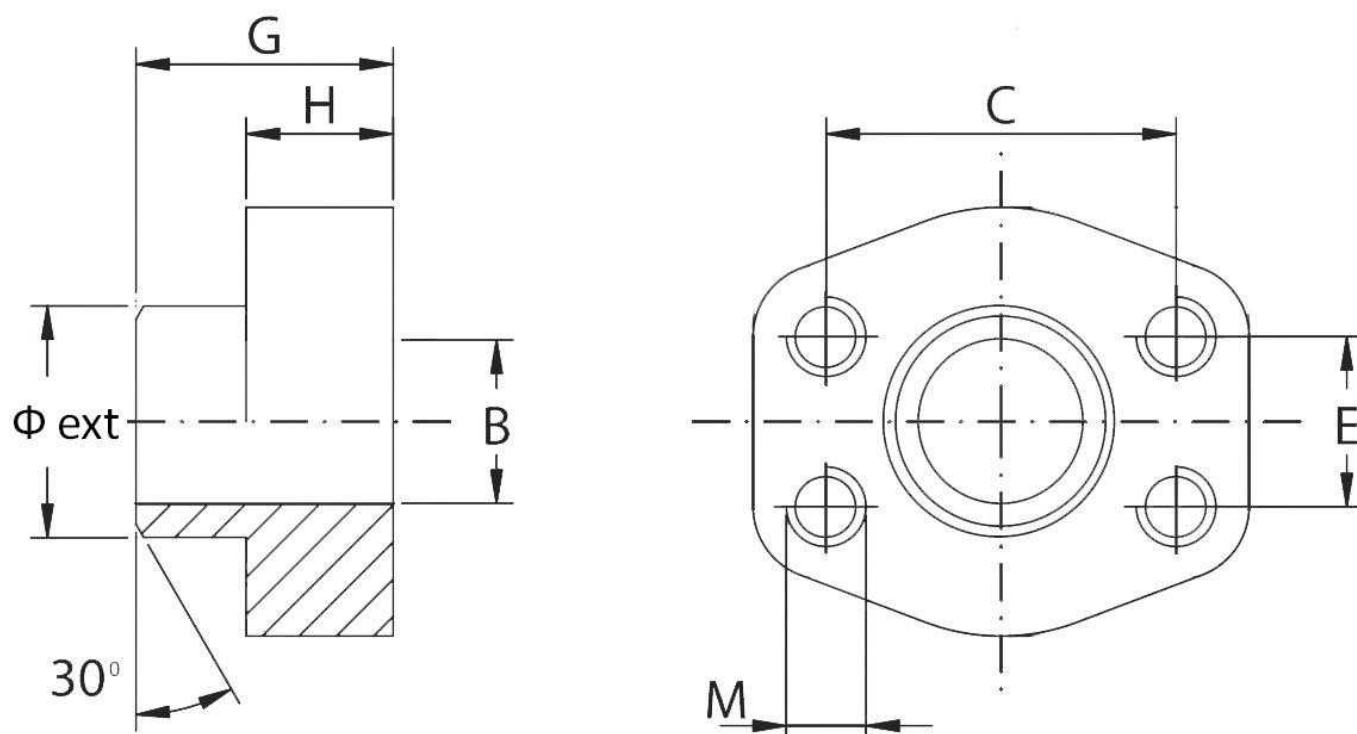
*** Revisar PDF adjunto ***

Los tornillos y juntas se venden aparte.

Bridas SAE

Bridas soldables macho

Contrabrida soldable macho tubo gas



Artículo	Serie	Ø ext	Tamaño	Tornillo	OR 1	Junta PU	ØB	C	E	G	H	M
BCMSG308215	3000 PSI	21.5	1/2"	TB8X30	18.64X3.53	JBR08	13	38,10	17,48	36	16	M8
BCMSG308175	3000 PSI	17.5	1/2"	TB8X30	18.64X3.53	JBR08	13	38,10	17,48	36	16	M8
BCMSG312280	3000 PSI	28	3/4"	TB10X35	24.99X3.53	JBR12	19	47,63	22,23	36	18	M10
BCMSG316340	3000 PSI	34	1"	TB10X35	32.92X3.53	JBR16	25	52,37	26,19	38	18	M10
BCMSG320428	3000 PSI	42.8	1"1/4	TB10X40	37.70X3.53	JBR20	32	58,72	30,18	41	21	M10
BCMSG324486	3000 PSI	48.6	1"1/2	TB12X45	47.22X3.53	JBR24	38	69,85	35,71	44	25	M12
BCMSG332610	3000 PSI	61	2"	TB12X45	56.74X3.53	JBR32	51	77,77	42,88	45	25	M12
BCMSG340770	3000 PSI	77	2"1/2	TB12X45			63	88,90	50,80	50	25	M12
BCMSG348920	3000 PSI	92	3"	TB16X50			73	106,38	61,93	50	27	M16
BCMSG561030	3000 PSI	103	3"1/2	TB16X50			89	120,65	69,85	48	27	M16
BCMSG3641155	3000 PSI	115.5	4"	TB16X50			99	130,18	77,77	48	27	M16
BCMSG608215	6000 PSI	21.5	1/2"	TB8X30	18.64X3.53	JBR08	13	40,49	18,24	36	16	M8
BCMSG608175	6000 PSI	17.5	1/2"	TB8X30	18.64X3.53	JBR08	13	40,49	18,24	36	16	M8
BCMSG612280	6000 PSI	28	3/4"	TB10X40	24.99X3.53	JBR12	19	50,80	23,80	35	21	M10
BCMSG616340	6000 PSI	34	1"	TB12X45	32.92X3.53	JBR16	25	57,15	27,76	41	21	M12
BCMSG620428	6000 PSI	42.8	1"1/4	TB14X45	37.70X3.53	JBR20	32	66,68	31,75	44	25	M14
BCMSG624486	6000 PSI	48.6	1"1/2	TB16X50	47.22X3.53	JBR24	38	79,38	36,50	50	30	M16
BCMSG632610	6000 PSI	61	2"	TB20X70	56.74X3.53	JBR32	51	96,82	44,45	65	37	M20

*** Revisar PDF adjunto ***

Los tornillos y juntas se venden aparte.

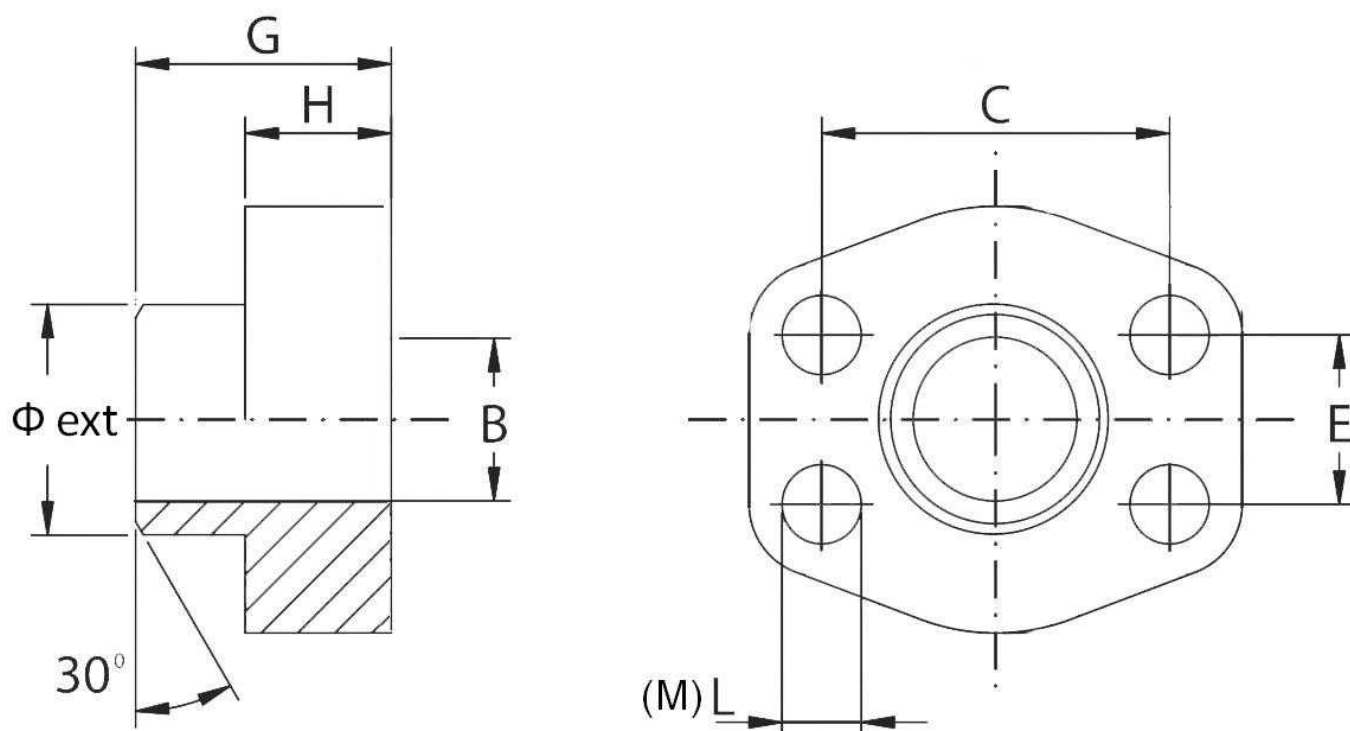
Bridas SAE

Bridas soldables macho

Brida soldable macho tubo métrico



1/1



Artículo	Serie	Ø ext	Tamaño	Tornillo	O'Ring	OR 1	Junta PU	ØB	ØL	C	E	G	H	M
BMSM31225	3000 PSI	25	3/4"	TB10X35	4100	24.99X3.53	JBR12	19	11	47,63	22,23	36	18	M10x35
BMSM31630	3000 PSI	30	1"	TB10X35	4131	32.92X3.53	JBR16	22	11	52,37	26,19	38	18	M10x35
BMSM32038	3000 PSI	38	1"1/4	TB10X40	4150	37.70X3.53	JBR20	30	11,5	58,72	30,18	41	21	M10x40
BMSM32442	3000 PSI	42	1"1/2	TB12X45	4187	47.22X3.53	JBR24	36	13,5	69,85	35,71	44,5	24,5	M12x45
BMSM33261	3000 PSI	61	2"	TB12X45	4225	56.74X3.53	JBR32	49	13,5	77,77	42,88	45	25	M12x45
BMSM33249	3000 PSI	49	2"	TB12X45	4225	56.74X3.53	JBR32	42	13,5	77,77	42,88	45	25	M12x45
BMSM34877	3000 PSI	77	3"	TB16X50	4337			62	17,5	106,38	61,93	51	26	M16x50
BMSM35677	3000 PSI	77	3"1/2	TB16X50	4387			70	17,5	120,65	69,85	48	26	M16x50
BMSM35690	3000 PSI	90	3"1/2	TB16X50	4387			82	17,5	120,65	69,85	48	26	M16x50
BMSM36477	3000 PSI	77	4"	TB16X50	4437			70	17,5	130,18	77,77	48	26	M16x50
BMSM36490	3000 PSI	90	4"	TB16X50	4437			82	17,5	130,18	77,77	48	26	M16x50
BMSM60820	6000 PSI	20	1/2"	TB8X30	4075	18.64X3.53	JBR08	14	9	40,49	18,24	34	16	M8x30
BMSM61220	6000 PSI	20	3/4"	TB10X40	4100	24.99X3.53	JBR12	14	11	50,80	23,80	35	21	M10x40
BMSM61225	6000 PSI	25	3/4"	TB10X40	4100	24.99X3.53	JBR12	17	11	50,80	23,80	35	21	M10x40
BMSM61625	6000 PSI	25	1"	TB12X45	4131	32.92X3.53	JBR16	19	13	57,15	27,76	42	25	M12x45
BMSM61630	6000 PSI	30	1"	TB12X45	4131	32.92X3.53	JBR16	22	13	57,15	27,76	42	25	M12x45
BMSM62038	6000 PSI	38	1"1/4	TB14X45	4150	37.70X3.53	JBR20	28	15 *	66,68	31,75	44	25	M14x45
BMSM62438	6000 PSI	38	1"1/2	TB16X50	4187	47.22X3.53	JBR24	28	17	79,38	36,50	56	28	M16x50
BMSM63261	6000 PSI	61	2"	TB20X70	4225	56.74X3.53	JBR32	40	21	96,82	44,45	65	37	M20x70

*** Revisar PDF adjunto ***

Los tornillos y juntas se venden aparte.

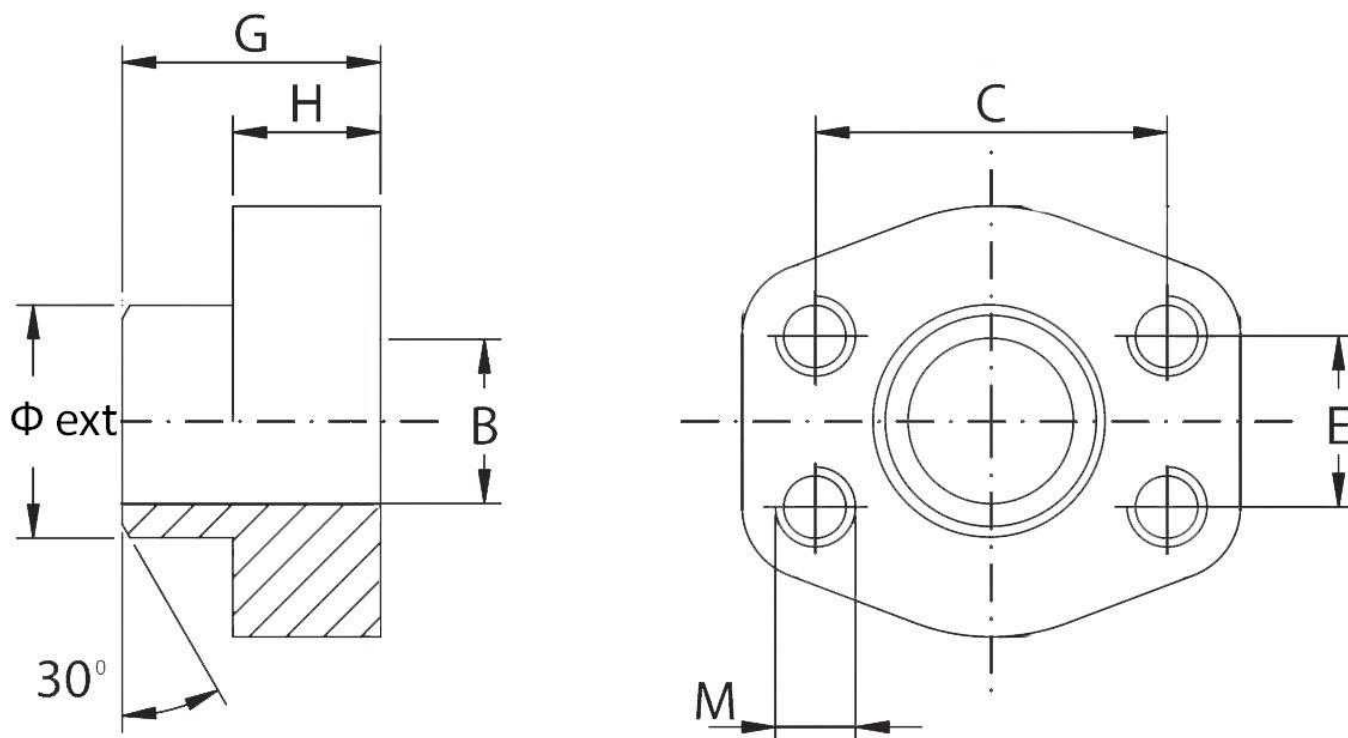
Bridas SAE

Bridas soldables macho

Contrabrida soldable macho tubo métrico



1/1



Artículo	Serie	Ø ext	Tamaño	Tornillo	OR 1	Junta PU	ØB	C	E	G	H	M
BCMSM31225	3000 PSI	25	3/4"	TB10X35	24.99X3.53	JBR12	19	47,63	22,23	36	18	M10
BCMSM31630	3000 PSI	30	1"	TB10X35	32.92X3.53	JBR16	22	52,37	26,19	38	18	M10
BCMSM32038	3000 PSI	38	1"1/4	TB10X40	37.70X3.53	JBR20	30	58,72	30,18	41	21	M10
BCMSM32442	3000 PSI	42	1"1/2	TB12X45	47.22X3.53	JBR24	36	69,85	35,71	44,5	24,5	M12
BCMSM32449	3000 PSI	49	1"1/2	TB12X45	47.22X3.53	JBR24	38	69,85	35,71	44,5	24,5	M12
BCMSM33261	3000 PSI	61	2"	TB12X45	56.74X3.53	JBR32	49	77,77	42,88	45	25	M12
BCMSM33249	3000 PSI	49	2"	TB12X45	56.74X3.53	JBR32	42	77,77	42,88	45	25	M12
BCMSM34077	3000 PSI	77	2"1/2	TB12X45			62	88,90	50,80	50	25	M12
BCMSM34877	3000 PSI	77	3"	TB16X50			62	106,38	61,93	51	26	M16
BCMSM35677	3000 PSI	77	3"1/2	TB16X50			70	120,65	69,85	48	26	M16
BCMSM35690	3000 PSI	90	3"1/2	TB16X50			82	120,65	69,85	48	26	M16
BCMSM36490	3000 PSI	90	4"	TB16X50			82	130,18	77,77	48	26	M16
BCMSM60820	6000 PSI	20	1/2"	TB8X30	18.64X3.53	JBR08	14	40,49	18,24	34	16	M8
BCMSM61220	6000 PSI	20	3/4"	TB10X40	24.99X3.53	JBR12	14	50,80	23,80	35	21	M10
BCMSM61225	6000 PSI	25	3/4"	TB10X40	24.99X3.53	JBR12	17	50,80	23,80	35	21	M10
BCMSM61625	6000 PSI	25	1"	TB12X45	32.92X3.53	JBR16	19	57,15	27,76	42	25	M12
BCMSM61630	6000 PSI	30	1"	TB12X45	32.92X3.53	JBR16	22	57,15	27,76	42	25	M12
BCMSM62038	6000 PSI	38	1"1/4	TB14X45	37.70X3.53	JBR20	28	66,68	31,75	44	25	M14
BCMSM62438	6000 PSI	38	1"1/2	TB16X50	47.22X3.53	JBR24	28	79,38	36,50	56	28	M16
BCMSM63261	6000 PSI	61	2"	TB20X70	56.74X3.53	JBR32	40	96,82	44,45	65	37	M20

*** Revisar PDF adjunto ***

Los tornillos y juntas se venden aparte.

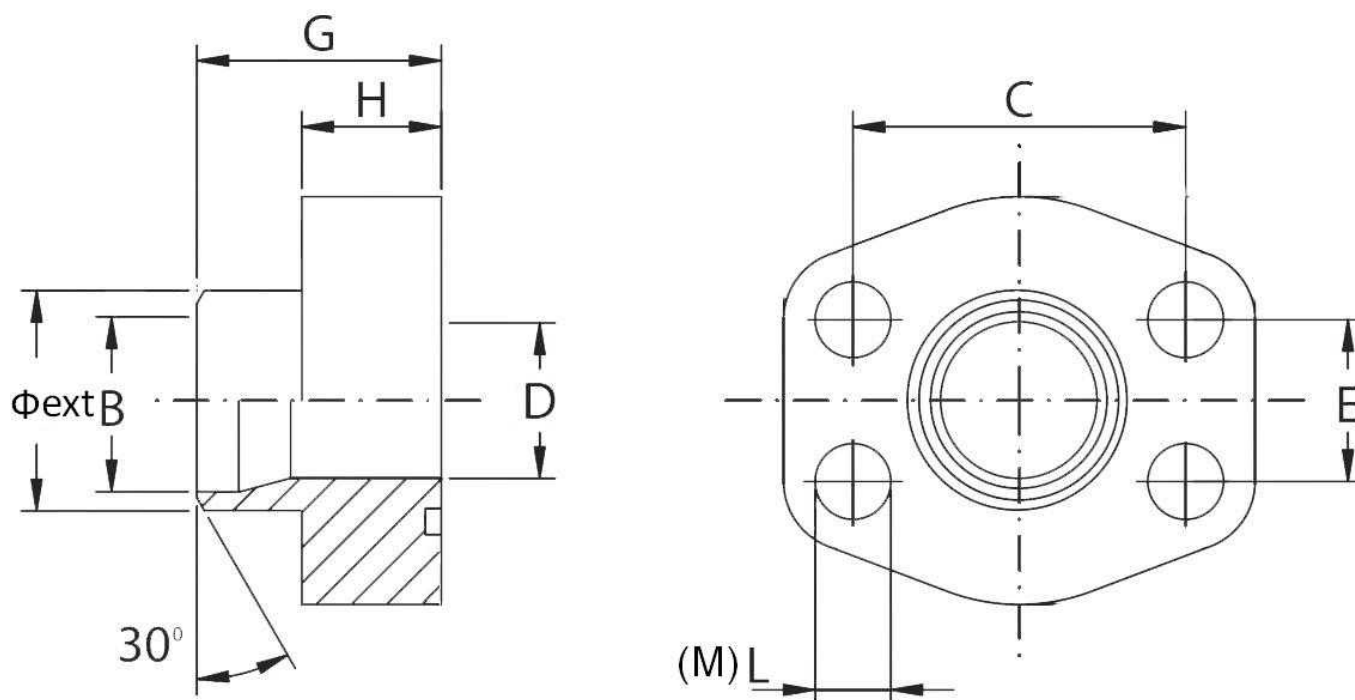
Bridas SAE

Bridas soldables macho

Brida soldable macho serie L tubo métrico



1/1



Artículo	Serie	Ø ext	Tamaño	Tornillo	O'Ring	OR 1	Junta PU	ØB	ØL	C	D	E	G	H	M
BMSLM30820	3000 PSI	20	1/2"	TB8X30	4075	18.64X3.53	JBR08	14	9	38,10	13	17,48	35	16	M8x30
BMSLM30822	3000 PSI	22	1/2"	TB8X30	4075	18.64X3.53	JBR08	16	9	38,10	13	17,48	35	16	M8x30
BMSLM31228	3000 PSI	28	3/4"	TB10X35	4100	24.99X3.53	JBR12	21,5	11	47,63	19	22,23	36	18	M10x35
BMSLM31635	3000 PSI	35	1"	TB10X35	4131	32.92X3.53	JBR16	27	11	52,37	25	26,19	38	18	M10x35
BMSLM32043	3000 PSI	43	1"1/4	TB10X40	4150	37.70X3.53	JBR20	36	11,5	58,72	31	30,18	41	21	M10x40
BMSLM32449	3000 PSI	49	1"1/2	TB12X45	4187	47.22X3.53	JBR24	42	13,5	69,85	38	35,71	44,5	24,5	M12x45
BMSLM33261	3000 PSI	61	2"	TB12X45	4225	56.74X3.53	JBR32	53	13,5	77,77	49	42,88	45	25	M12x45
BMSLM34077	3000 PSI	77	2"1/2	TB12X45	4275			70	13,5	88,90	62	50,80	50	25	M12x45
BMSLM34890	3000 PSI	90	3"	TB16X50	4337			82	17,5	106,38	74	61,93	51	26	M16x50
BMSLM364115	3000 PSI	115	4"	TB16X50	4437			107	17,5	130,18	102	77,77	48	26	M16x50

*** Revisar PDF adjunto ***

Los tornillos y juntas se venden aparte.

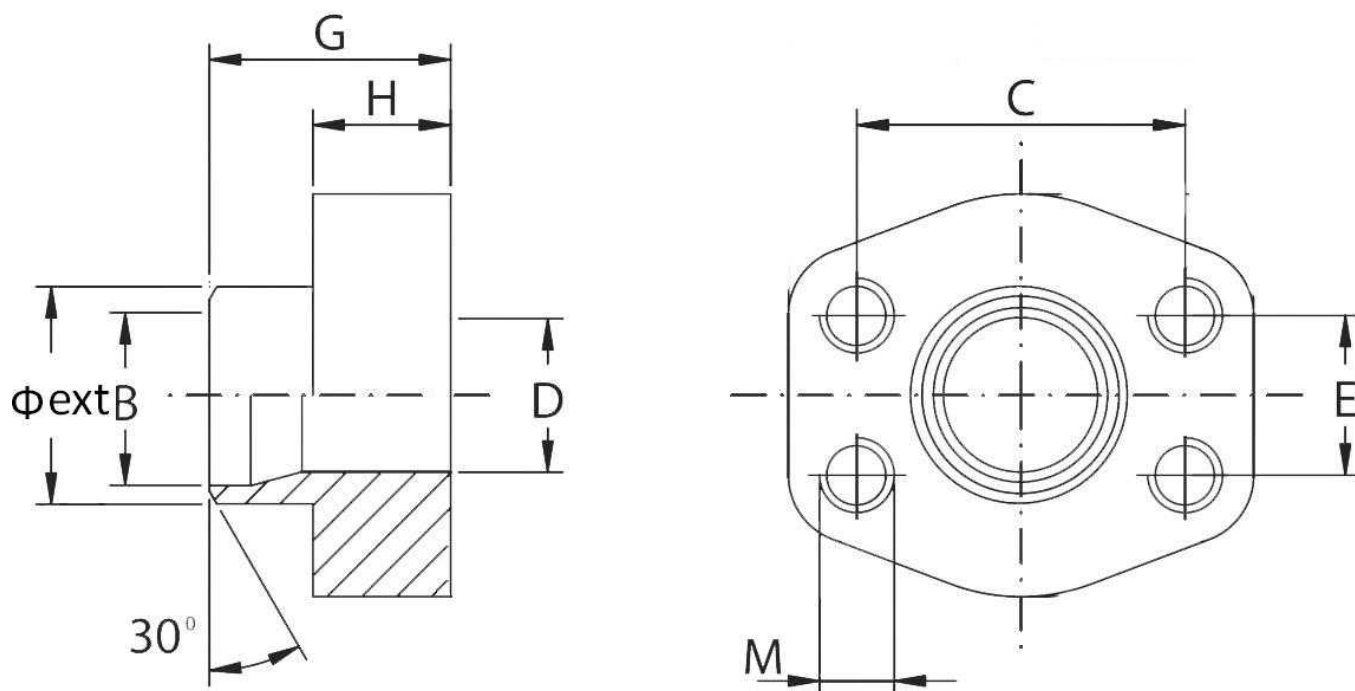
Bridas SAE

Bridas soldables macho

Contrabrida soldable macho serie L tubo métrico



1/1



Artículo	Serie	Ø ext	Tamaño	Tornillo	OR 1	Junta PU	ØB	C	D	E	G	H	M
BCMSLM30820	3000 PSI	20	1/2"	TB8X30	18.64X3.53	JBR08	14	38,10	13	17,48	35	16	M8
BCMSLM30822	3000 PSI	22	1/2"	TB8X30	18.64X3.53	JBR08	16	38,10	13	17,48	35	16	M8
BCMSLM31228	3000 PSI	28	3/4"	TB10X35	24.99X3.53	JBR12	21,5	47,63	19	22,23	36	18	M10
BCMSLM31635	3000 PSI	35	1"	TB10X35	32.92X3.53	JBR16	27	52,37	25	26,19	38	18	M10
BCMSLM32043	3000 PSI	43	1"1/4	TB10X40	37.70X3.53	JBR20	36	58,72	31	30,18	41	21	M10
BCMSLM32449	3000 PSI	49	1"1/2	TB12X45	47.22X3.53	JBR24	42	69,85	38	35,71	44,5	24,5	M12
BCMSLM33261	3000 PSI	61	2"	TB12X45	56.74X3.53	JBR32	53	77,77	49	42,88	45	25	M12
BCMSLM34077	3000 SPI	77	2"1/2	TB12X45			70	88,90	62	50,80	50	25	M12
BCMSLM34890	3000 PSI	90	3"	TB16X50			82	106,38	74	61,93	51	26	M16
BCMSLM364115	3000 PSI	115	4"	TB16X50			107	130,18	102	77,77	48	26	M16

*** Revisar PDF adjunto ***

Los tornillos y juntas se venden aparte.

Bridas SAE

Accesorios bridas

Tornillos para bridas SAE**FLUIDAL****1/1**

Artículo	R1	Tamaño
TB8X30	M8X30	3000-6000 PSI 1/2"
TB10X35	M10X35	3000 PSI 3/4"-1"
TB10X40	M10X40	3000 PSI 1" 1/4 - 6000 PSI 3/4"
TB12X45	M12X35	3000 PSI 1"1/2-2"-2"1/2-6000 PSI 1"
TB14X45	M14X45	6000 PSI 1"1/4
TB16X50	M16X50	3000 PSI 3"-3"1/2"-4"- 6000 PSI 1" 1/2
TB20X70	M20X70	6000 PSI 2"

*** Revisar PDF adjunto ***

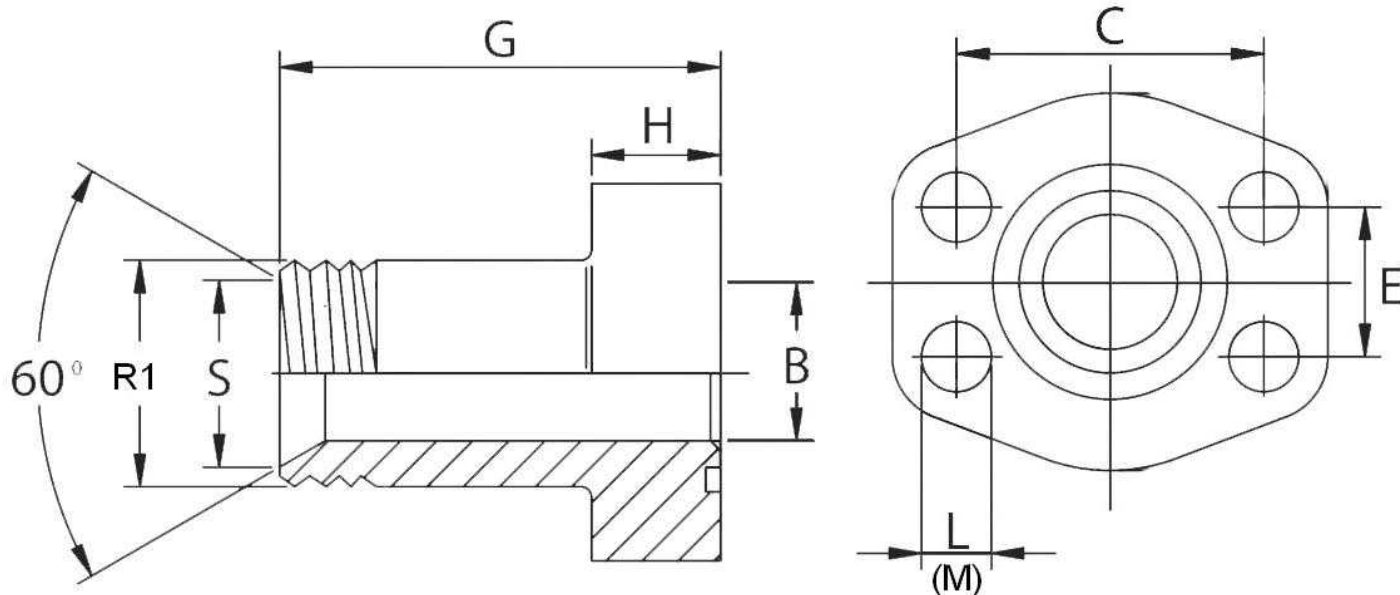
Bridas SAE

Bridas roscadas macho

Brida roscada macho BSP



1/1



Artículo	Serie	R1	Tamaño	Tornillo	O'Ring	OR 1	Junta PU	ØB	ØL	C	E	G	H	M	S
BMRG30806	3000 PSI	3/8" BSP	1/2"	TB8X30	4075	18.64X3.53	JBR08	8,50	9	38,10	17,48	52	13	M8x30	14,0
BMRG30808	3000 PSI	1/2" BSP	1/2"	TB8X30	4075	18.64X3.53	JBR08	11,50	9	38,10	17,48	52	13	M8x30	17,5
BMRG31212	3000 PSI	3/4" BSP	3/4"	TB10X35	4100	24.99X3.53	JBR12	17,00	11,5	47,63	22,23	60	14	M10x35	22,9
BMRG31208	3000 PSI	1/2" BSP	3/4"	TB10X35	4100	24.99X3.53	JBR12	11,50	11,5	47,63	22,23	60	14	M10x35	17,5
BMRG31616	3000 PSI	1" BSP	1"	TB10X35	4131	32.92X3.53	JBR16	22,00	11,5	52,37	26,19	63	16	M10x35	28,7
BMRG31612	3000 PSI	3/4" BSP	1"	TB10X35	4131	32.92X3.53	JBR16	17,00	11,5	52,37	26,19	63	16	M10x40	22,9
BMRG32020	3000 PSI	1"1/4 BSP	1"1/4	TB10X40	4150	37.70X3.53	JBR20	28,50	11,5	58,72	30,18	65	14	M10x35	36,8
BMRG32016	3000 PSI	1" BSP	1"1/4	TB10X40	4150	37.70X3.53	JBR20	22,00	11,5	58,72	30,18	65	14	M10x35	28,7
BMRG32424	3000 PSI	1"1/2 BSP	1"1/2	TB12X45	4187	47.22X3.53	JBR24	34,00	13,5	69,85	35,71	70	16	M12x35	42,7
BMRG32420	3000 PSI	1"1/4 BSP	1"1/2	TB12X45	4187	47.22X3.53	JBR24	28,50	13,5	69,85	35,71	70	16	M12x35	36,8
BMRG60808	6000 PSI	1/2" BSP	1/2"	TB8X30	4075	18.64X3.53	JBR08	11,50	9	40,49	18,24	60	16	M8x30	17,5
BMRG60806	6000 PSI	3/8" BSP	1/2"	TB8X30	4075	18.64X3.53	JBR08	8,50	9	40,49	18,24	60	16	M8x30	14,0
BMRG61212	6000 PSI	3/4" BSP	3/4"	TB10X40	4100	24.99X3.53	JBR12	17,00	11,5	50,80	23,80	73	19	M10x40	22,9
BMRG61208	6000 PSI	1/2" BSP	3/4"	TB10X40	4100	24.99X3.53	JBR12	11,50	11,5	50,80	23,80	73	19	M10x40	17,5
BMRG61616	6000 PSI	1" BSP	1"	TB12X45	4131	32.92X3.53	JBR16	22,00	13	57,15	27,76	82	24	M12x45	28,7
BMRG61612	6000 PSI	3/4" BSP	1"	TB12X45	4131	32.92X3.53	JBR16	17,00	13	57,15	27,76	82	24	M12x45	22,9
BMRG62020	6000 PSI	1"1/4 BSP	1"1/4	TB14X45	4150	37.70X3.53	JBR20	28,50	15	66,68	31,75	92	27	M14x45	36,8
BMRG62016	6000 PSI	1" BSP	1"1/4	TB14X45	4150	37.70X3.53	JBR20	22,00	15	66,68	31,75	92	27	M14x45	28,7
BMRG62424	6000 PSI	1"1/2 BSP	1"1/2	TB16X50	4187	47.22X3.53	JBR24	34,00	17	79,38	36,50	96	30	M16x50	42,7
BMRG62420	6000 PSI	1"1/4 BSP	1"1/2	TB16X50	4187	47.22X3.53	JBR24	28,50	17	79,38	36,50	96	30	M16x50	36,8

*** Revisar PDF adjunto ***

Los tornillos y juntas se venden aparte.

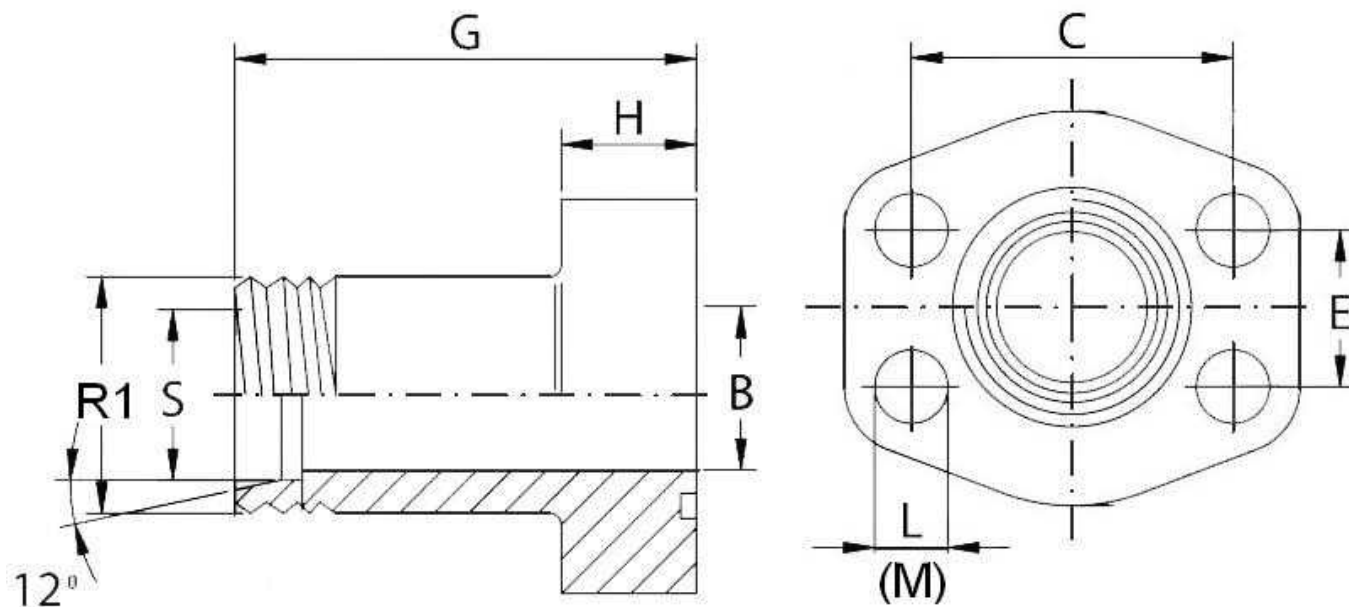
Bridas SAE

Bridas roscadas macho

Brida roscada macho métrico



1/1



Artículo	Serie	R1	Tamaño	Tornillo	O'Ring	OR 1	Junta PU	ØB	ØL	C	E	G	H	M	S
BMRM30822	3000 PSI	M22x1,5	1/2"	TB8X30	4075	18.64X3.53	JBR08	12	9	38,10	17,48	52	13	M8x30	15
BMRM31230	3000 PSI	M30x2	3/4"	TB10X35	4100	24.99X3.53	JBR12	19	11,5	47,63	22,23	60	14	M10x30	22
BMRM31636	3000 PSI	M36x2	1"	TB10X35	4131	32.92X3.53	JBR16	24	11,5	52,37	26,19	63	16	M10x35	28
BMRM32045	3000 PSI	M45x2	1"1/4	TB10X40	4150	37.70X3.53	JBR20	29	11,5	58,72	30,18	65	14	M10x35	35
BMRM32452	3000 PSI	M52x2	1"1/2	TB12X45	4187	47.22X3.53	JBR24	36	13,5	69,85	35,71	70	16	M12x35	42
BMRM60824	6000 PSI	M24x1.5	1/2"	TB8X30	4075	18.64X3.53	JBR08	12	9	40,49	18,24	60	16	M8x30	16
BMRM61236	6000 PSI	M36X2	3/4"	TB10X40	4100	24.99X3.53	JBR12	19	11,5	50,80	23,80	73	19	M10x40	25
BMRM61642	6000 PSI	M42x2	1"	TB12X45	4131	32.92X3.53	JBR16	25	13	57,15	27,76	82	24	M12x45	30
BMRM62052	6000 PSI	M52x2	1"1/4	TB14X45	4150	37.70X3.53	JBR20	29	15*	66,68	31,75	92	27	M14x45	38
BMRM62452	6000 PSI	M52x2	1"1/2	TB16X50	4187	47.22X3.53	JBR24	32	17	79,38	36,50	96	30	M16x50	38

*** Revisar PDF adjunto ***

Los tornillos y juntas se venden aparte.

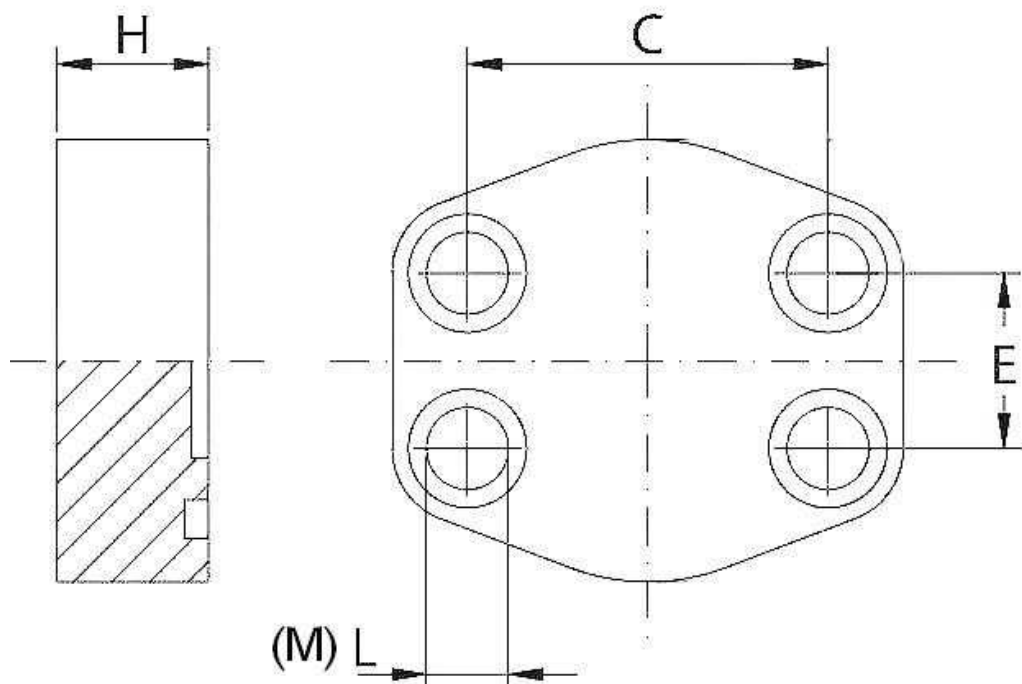
Bridas SAE

Bridas ciegas

Bridas ciegas



1/1



Artículo	Serie	Tamaño	Tornillo	O'Ring	OR 1	Junta PU	ØL	C	E	H	M
BBC308	3000 PSI	1/2"	TB8X30	4075	18.64X3.53	JBR08	9	38,10	17,48	16	M8x30
BBC312	3000 PSI	3/4"	TB10X35	4100	24.99X3.53	JBR12	11	47,63	22,23	18	M10x35
BBC316	3000 PSI	1"	TB10X35	4131	32.92X3.53	JBR16	11	52,37	26,19	19	M10x35
BBC320	3000 PSI	1"1/4	TB10X40	4150	37.70X3.53	JBR20	11,5	58,72	30,18	18	M10x40
BBC324	3000 PSI	1"1/2	TB12X45	4187	47.22X3.53	JBR24	13,5	69,85	35,71	20	M12x45
BBC332	3000 PSI	2"	TB12X45	4225	56.74X3.53	JBR32	13,5	77,77	42,88	20	M12x45
BBC340	3000 PSI	2"1/2	TB12X45	4275			13,5	88,90	50,80	20	M12x45
BBC348	3000 PSI	3"	TB16X50	4337			17,5	106,38	61,93	24	M16x50
BBC356	3000 PSI	3"1/2	TB16X50	4387			17,5	120,65	69,85	22	M16x50
BBC364	3000 PSI	4"	TB16X50	4437			17,5	130,18	77,77	25	M16x50
BBC380	3000 PSI	5"	TB16X50	4537			17,5	152,40	92,08	28	M16x50
BBC608	6000 PSI	1/2"	TB8X30	4075	18.64X3.53	JBR08	9	40,49	18,24	16	M8x30
BBC612	6000 PSI	3/4"	TB10X40	4100	24.99X3.53	JBR12	11	50,80	23,80	19	M10x35
BBC616	6000 PSI	1"	TB12X45	4131	32.92X3.53	JBR16	13	57,15	27,76	24	M12x45
BBC620	6000 PSI	1"1/4	TB14X45	4150	37.70X3.53	JBR20	15	66,68	31,75	27	M14x45
BBC624	6000 PSI	1"1/2	TB16X50	4187	47.22X3.53	JBR24	17	79,38	36,50	30	M16x50
BBC632	6000 PSI	2"	TB20X70	4225	56.74X3.53	JBR32	21	96,82	44,45	30	M20x60

*** Revisar PDF adjunto ***

Los tornillos y juntas se venden aparte.

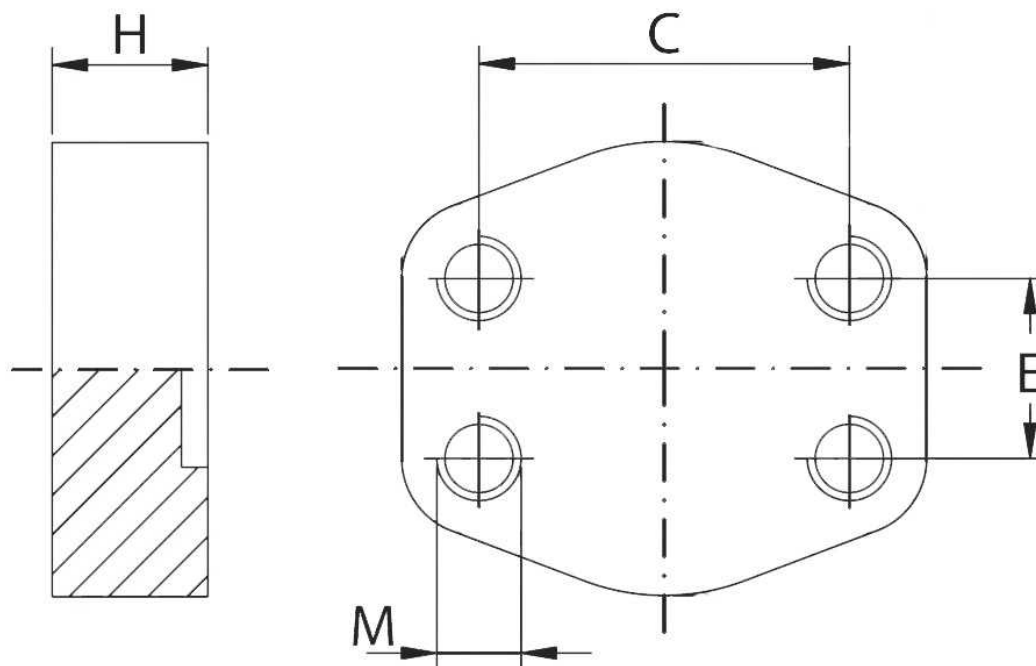
Bridas SAE

Bridas ciegas

Contrabridas ciegas



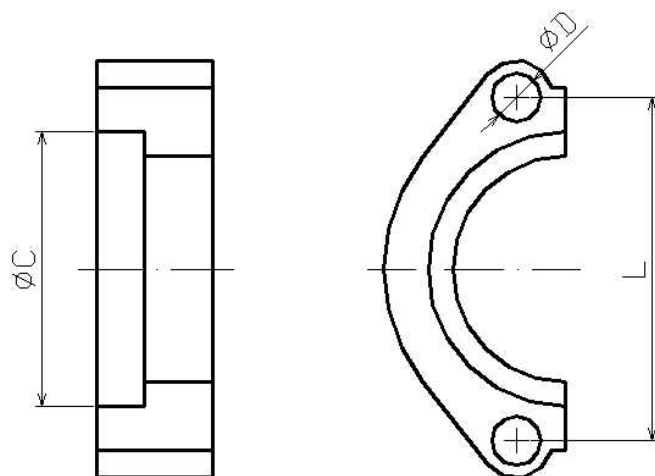
1/1



Artículo	Serie	Tamaño	Tornillo	OR 1	Junta PU	C	E	H	M
BCC308	3000 PSI	1/2"	TB8X30	18.64X3.53	JBR08	38,10	17,48	16	M8x30
BCC312	3000 PSI	3/4"	TB10X35	24.99X3.53	JBR12	47,63	22,23	18	M10x35
BCC316	3000 PSI	1"	TB10X35	32.92X3.53	JBR16	52,37	26,19	19	M10x35
BCC320	3000 PSI	1"1/4	TB10X40	37.70X3.53	JBR20	58,72	30,18	18	M10x40
BCC324	3000 PSI	1"1/2	TB12X45	47.22X3.53	JBR24	69,85	35,71	20	M12x45
BCC332	3000 PSI	2"	TB12X45	56.74X3.53	JBR32	77,77	42,88	20	M12x45
BCC340	3000 PSI	2"1/2	TB12X45			88,90	50,80	20	M12x45
BCC348	3000 PSI	3"	TB16X50			106,38	61,93	24	M16x50
BCC356	3000 PSI	3"1/2	TB16X50			120,65	69,85	22	M16x50
BCC364	3000 PSI	4"	TB16X50			130,18	77,77	25	M16x50
BCC380	3000 PSI	5"	TB16X50			152,40	92,08	28	M16x50
BCC608	6000 PSI	1/2"	TB8X30	18.64X3.53	JBR08	40,49	18,24	16	M8x30
BCC612	6000 PSI	3/4"	TB10X40	24.99X3.53	JBR12	50,80	23,80	19	M10x35
BCC616	6000 PSI	1"	TB12X45	32.92X3.53	JBR16	57,15	27,76	24	M12x45
BCC620	6000 PSI	1"1/4	TB14X45	37.70X3.53	JBR20	66,68	31,75	27	M14x45
BCC624	6000 PSI	1"1/2	TB16X50	47.22X3.53	JBR24	79,38	36,50	30	M16x50
BCC632	6000 PSI	2"	TB20X70	56.74X3.53	JBR32	96,82	44,45	30	M20x60

*** Revisar PDF adjunto ***

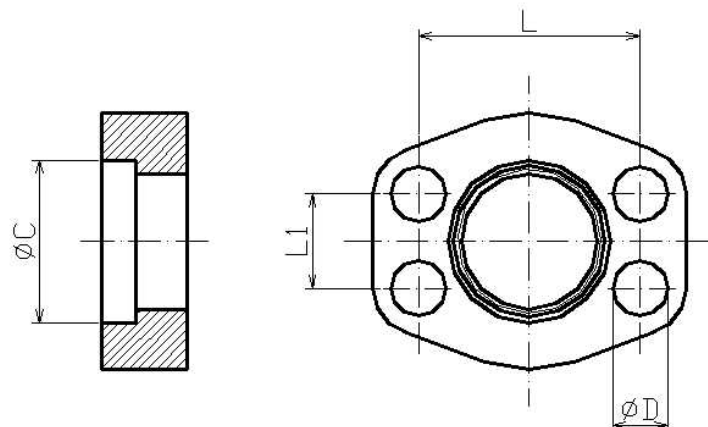
Los tornillos y juntas se venden aparte.

Bridas SAE partidas (semibridas) 3000/6000 PSI

Artículo	Serie	Tamaño	Tornillo	L	OR 1	Junta PU	ØC	ØD
BBP308	3000 PSI	1/2"	TB8X30	38,1	18.64X3.53	JBR08	30,96	8,75
BBP312	3000 PSI	3/4"	TB10X35	47,63	24.99X3.53	JBR12	38,89	10,75
BBP316	3000 PSI	1"	TB10X35	52,37	32.92X3.53	JBR16	45,24	10,75
BBP320	3000 PSI	1"1/4	TB10X40	58,72	37.70X3.53	JBR20	51,59	12
BBP324	3000 PSI	1"1/2	TB12X45	69,85	47.22X3.53	JBR24	61,09	13,5
BBP332	3000 PSI	2"	TB12X45	77,77	56.74X3.53	JBR32	72,24	13,5
BBP340	3000 PSI	2"1/2	TB12X45	88,9			84,94	13,5
BBP348	3000 PSI	3"	TB16X50	106,38			102,39	16,75
BBP356	3000 PSI	3"1/2	TB16X50	120,65			115,1	17
BBP364	3000 PSI	4"	TB16X50	130,18			127,79	17
BBP608	6000 PSI	1/2"	TB8X30	40,49	18.64X3.53	JBR08	32,54	8,75
BBP612	6000 PSI	3/4"	TB10X40	50,8	24.99X3.53	JBR12	42,06	11
BBP616	6000 PSI	1"	TB12X45	57,15	32.92X3.53	JBR16	48,41	13
BBP620	6000 PSI	1"1/4	TB14X45	66,68	37.70X3.53	JBR20	54,76	15
BBP624	6000 PSI	1"1/2	TB16X50	79,38	47.22X3.53	JBR24	64,29	17
BBP632	6000 PSI	2"	TB20X70	96,82	56.74X3.53	JBR32	80,16	21

*** Revisar PDF adjunto ***

Los tornillos y juntas se venden aparte.

Bridas SAE enteras (monoblock) 3000/6000 PSI

Artículo	Serie	Tamaño	Tornillo	L	L1	OR 1	Junta PU	ØC	ØD
BBE308	3000 PSI	1/2"	TB8X30	38,1	17,48	18.64X3.53	JBR08	30,96	8,75
BBE312	3000 PSI	3/4"	TB10X35	47,63	22,23	24.99X3.53	JBR12	38,89	10,75
BBE316	3000 PSI	1"	TB10X35	52,37	26,19	32.92X3.53	JBR16	45,24	10,75
BBE320	3000 PSI	1"1/4	TB10X40	58,72	38,1	37.70X3.53	JBR20	51,59	12
BBE324	3000 PSI	1"1/2	TB12X45	69,85	35,71	47.22X3.53	JBR24	61,09	13,5
BBE332	3000 PSI	2"	TB12X45	77,77	42,88	56.74X3.53	JBR32	72,24	13,5
BBE340	3000 PSI	2"1/2	TB12X45	88,9	50,8			84,94	13,5
BBE348	3000 PSI	3"	TB16X50	106,38	61,93			102,39	16,75
BBE356	3000 PSI	3"1/2	TB16X50	120,65	69,85			115,1	17
BBE364	3000 PSI	4"	TB16X50	130,18	77,77			127,79	17
BBE380	3000 PSI	5"	TB16X50	152,4	92,08			153,19	17
BBE608	6000 PSI	1/2"	TB8X30	40,49	18,24	18.64X3.53	JBR08	32,54	8,75
BBE612	6000 PSI	3/4"	TB10X40	50,8	23,8	24.99X3.53	JBR12	42,06	11
BBE616	6000 PSI	1"	TB12X45	57,15	27,76	32.92X3.53	JBR16	48,41	13
BBE620	6000 PSI	1"1/4	TB14X45	66,68	31,75	37.70X3.53	JBR20	54,76	15
BBE624	6000 PSI	1"1/2	TB16X50	79,38	36,5	47.22X3.53	JBR24	64,29	17
BBE632	6000 PSI	2"	TB20X70	96,82	44,45	56.74X3.53	JBR32	80,16	21

*** Revisar PDF adjunto ***

Los tornillos y juntas se venden aparte.

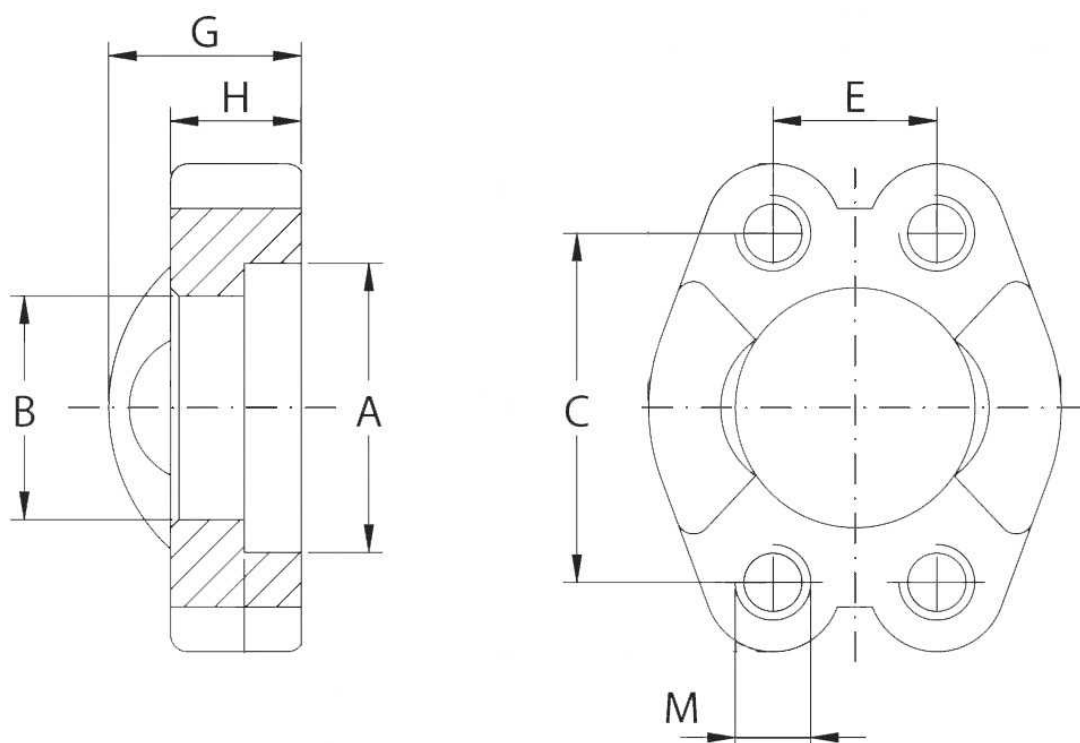
Bridas SAE

Bridas para flexibles

Contrabrida rosca Métrica



1/1



Artículo	Serie	Tamaño	Tornillo	OR 1	Junta PU	ØA	ØB	C	E	G	H	M
BCE308	3000 PSI	1/2"	TB8X30	18.64X3.53	JBR08	30,96	24,26	38,10	17,48	19	13	M8
BCE312	3000 PSI	3/4"	TB10X35	24.99X3.53	JBR12	38,89	32,13	47,63	22,23	22	14	M10
BCE316	3000 PSI	1"	TB10X35	32.92X3.53	JBR16	45,24	38,48	52,37	26,19	24	16	M10
BCE320	3000 PSI	1"1/4	TB10X40	37.70X3.53	JBR20	51,59	43,69	58,72	30,18	22	14	M10
BCE324	3000 PSI	1"1/2	TB12X45	47.22X3.53	JBR24	61,09	50,80	69,85	35,71	25	16	M12
BCE332	3000 PSI	2"	TB12X45	56.74X3.53	JBR32	72,24	62,74	77,77	42,88	26	16	M12
BCE340	3000 PSI	2"1/2	TB12X45			84,94	74,93	88,90	50,80	38	19	M12
BCE348	3000 PSI	3"	TB16X50			102,39	90,93	106,38	61,93	41	22	M16
BCE356	3000 PSI	3"1/2	TB16X50			115,10	102,36	120,65	69,85	28	22	M16
BCE364	3000 PSI	4"	TB16X50			127,79	115,06	130,18	77,77	35	25	M16
BCE380	3000 PSI	5"	TB16X50			153,19	140,46	152,40	92,08	41	28	M16
BCE608	6000 PSI	1/2"	TB8X30	18.64X3.53	JBR08	32,54	24,64	40,49	18,24	22	16	M8
BCE612	6000 PSI	3/4"	TB10X40	24.99X3.53	JBR12	42,06	32,51	50,80	23,80	28	19	M10
BCE616	6000 PSI	1"	TB12X45	32.92X3.53	JBR16	48,41	38,86	57,15	27,76	33	24	M12
BCE620	6000 PSI	1"1/4	TB14X45	37.70X3.53	JBR20	54,76	44,45	66,68	31,75	38	27	M14
BCE624	6000 PSI	1"1/2	TB16X50	47.22X3.53	JBR24	64,29	51,56	79,38	36,50	43	30	M16
BCE632	6000 PSI	2"	TB20X70	56.74X3.53	JBR32	80,16	67,56	96,82	44,45	52	37	M20

*** Revisar PDF adjunto ***

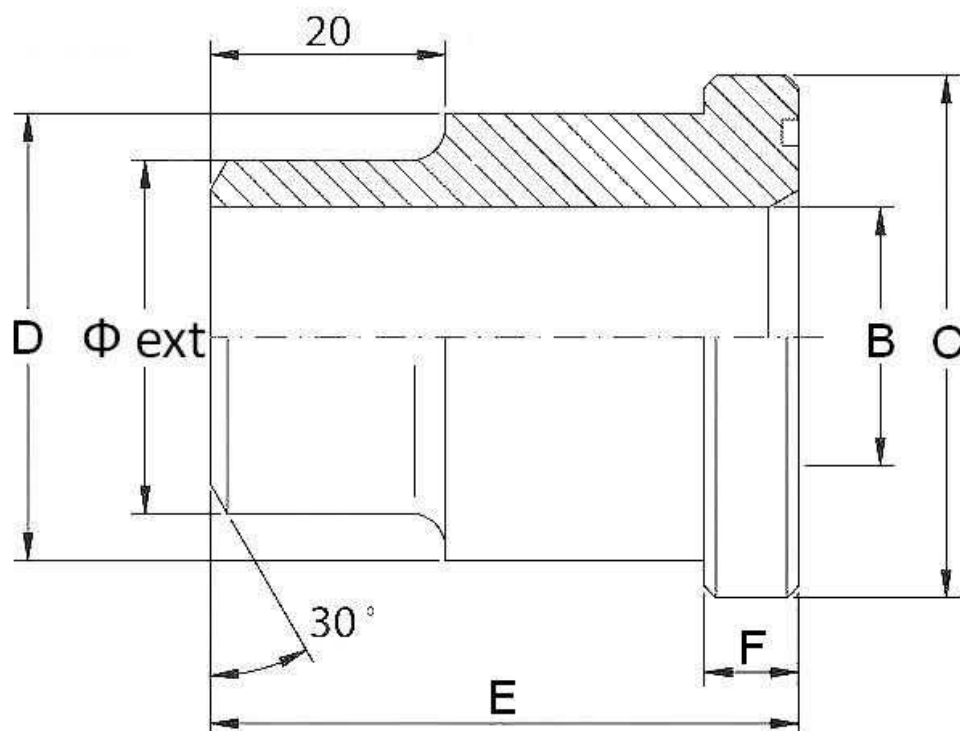
Los tornillos y juntas se venden aparte.

Bridas SAE

Conos soldar

Brida cono soldable tubo métrico**FLUIDAL**

1/1



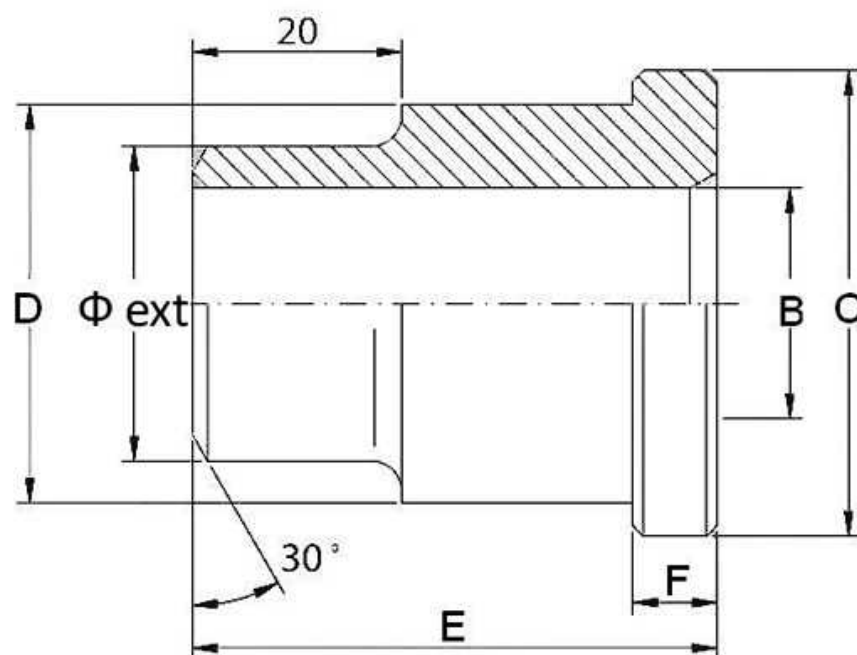
Artículo	Serie	Ø ext	Tamaño	O'Ring	ØB	C	D	E	F
BSM310816	3000 PSI	16	1/2"	4075	12	30,2	24	41	6,73
BSM311225	3000 PSI	25	3/4"	4100	19	38,1	32	50	6,73
BSM311630	3000 PSI	30	1"	4131	22	44,4	38	50	8,00
BSM3132038	3000 PSI	38	1"1/4	4150	28	50,8	43	55	8,00
BSM312445	3000 PSI	45	1"1/2	4187	35	60,3	50	57	8,00
BSM313260	3000 PSI	60	2"	4225	50	71,4	62	57	9,53
BSM314070	3000 PSI	70	2"1/2	4275	55	84,1	74	70	9,53
BSM314880	3000 PSI	80	3"	4337	68	101,6	90	60	9,53
BSM3156100	3000 PSI	100	3"1/2	4387	89	114,3	102	80	11,20
BSM31641143	3000 PSI	114.3	4"	4437	99	127,0	114,3	80	11,20
BSM31801397	3000 PSI	139.7	5"	4537	120	152,4	139,7	80	11,20
BSM610816	6000 PSI	16	1/2"	4075	12	31,8	24	34	7,75
BSM611225	6000 PSI	25	3/4"	4100	18	41,3	32	38	8,76
BSM611630	6000 PSI	30	1"	4131	22	47,6	38	40	9,53
BSM612038	6000 PSI	38	1"1/4	4150	27	54,0	44	45	10,29
BSM612445	6000 PSI	45	1"1/2	4187	32	63,5	51	50	12,57
BSM613260	6000 PSI	60	2"	4225	45	79,4	67	58	12,57

Bridas SAE

Conos soldar

Contrabrida cono soldable tubo métrico**FLUIDAL**

1/1



Artículo	Serie	Ø ext	Tamaño	ØB	C	D	E	F
BSM300816	3000 PSI	16	1/2"	12	30,2	24	41	6,73
BSM301225	3000 PSI	25	3/4"	19	38,1	32	50	6,73
BSM301630	3000 PSI	30	1"	22	44,4	38	50	8,00
BSM302038	3000 PSI	38	1"1/4	28	50,8	43	55	8,00
BSM302445	3000 PSI	45	1"1/2	35	60,3	50	57	8,00
BSM303260	3000 PSI	60	2"	50	71,4	62	57	9,53
BSM304070	3000 PSI	70	2"1/2	55	84,1	74	58	9,53
BSM304880	3000 PSI	80	3"	68	101,6	90	60	9,53
BSM3056100	3000 PSI	100	3"1/2	89	114,3	102	80	11,20
BSM30641143	3000 PSI	114.3	4"	99	127,0	114,3	80	11,20
BSM30801397	3000 PSI	139.7	5"	120	152,4	139,7	80	11,20
BSM600816	6000 PSI	16	1/2"	12	31,8	24	34	7,75
BSM601225	6000 PSI	25	3/4"	18	41,3	32	38	8,76
BSM601630	6000 PSI	30	1"	22	47,6	38	40	9,53
BSM602038	6000 PSI	38	1"1/4	27	54,0	44	45	10,29
BSM602445	6000 PSI	45	1"1/2	32	63,5	51	50	12,57
BSM603260	6000 PSI	60	2"	45	79,4	67	58	12,57

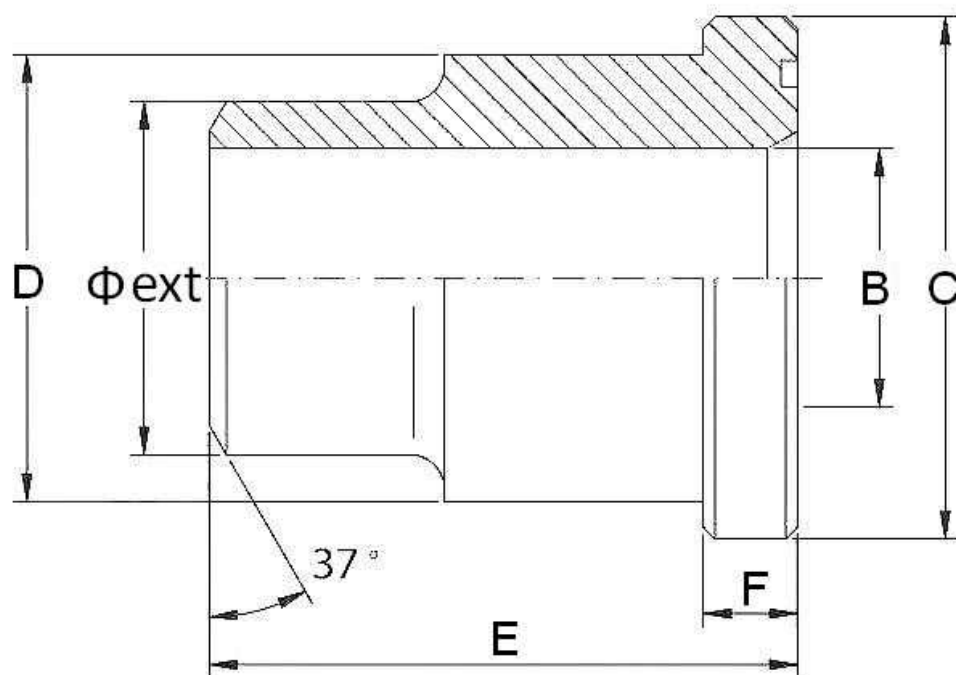
Bridas SAE

Bridas Cetop

Cono Cetop soldable exterior



1/1



Artículo	Serie	Ø ext	Tamaño	O'Ring	ØB	C	D	E	F
BCTS30618	3000 PSI	18	3/8"	3068	12,5	24,5	18	30	7,3
BCTS60618	6000 PSI	18	3/8"	3068	11	26,0	18	35	8,4

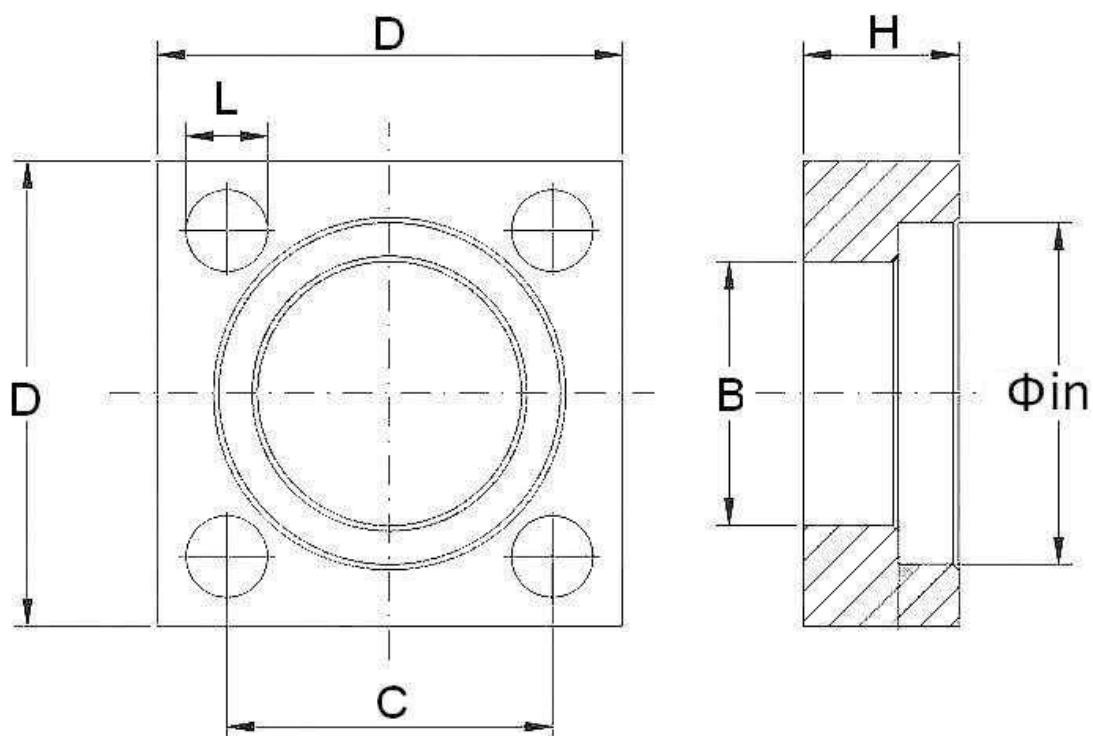
Bridas SAE

Bridas Cetop

Bridas Cetop



1/1



Artículo	Serie	Ø in	Tamaño	Tornillo	OR 1	Junta PU	ØB	ØL	C	D	H	I
BCT30831	3000 PSI	31	1/2"	TB8X30	18.64X3.53	JBR08	24,3	8,5	29,7	45	15	6,3

*** Revisar PDF adjunto ***

Los tornillos y juntas se venden aparte.